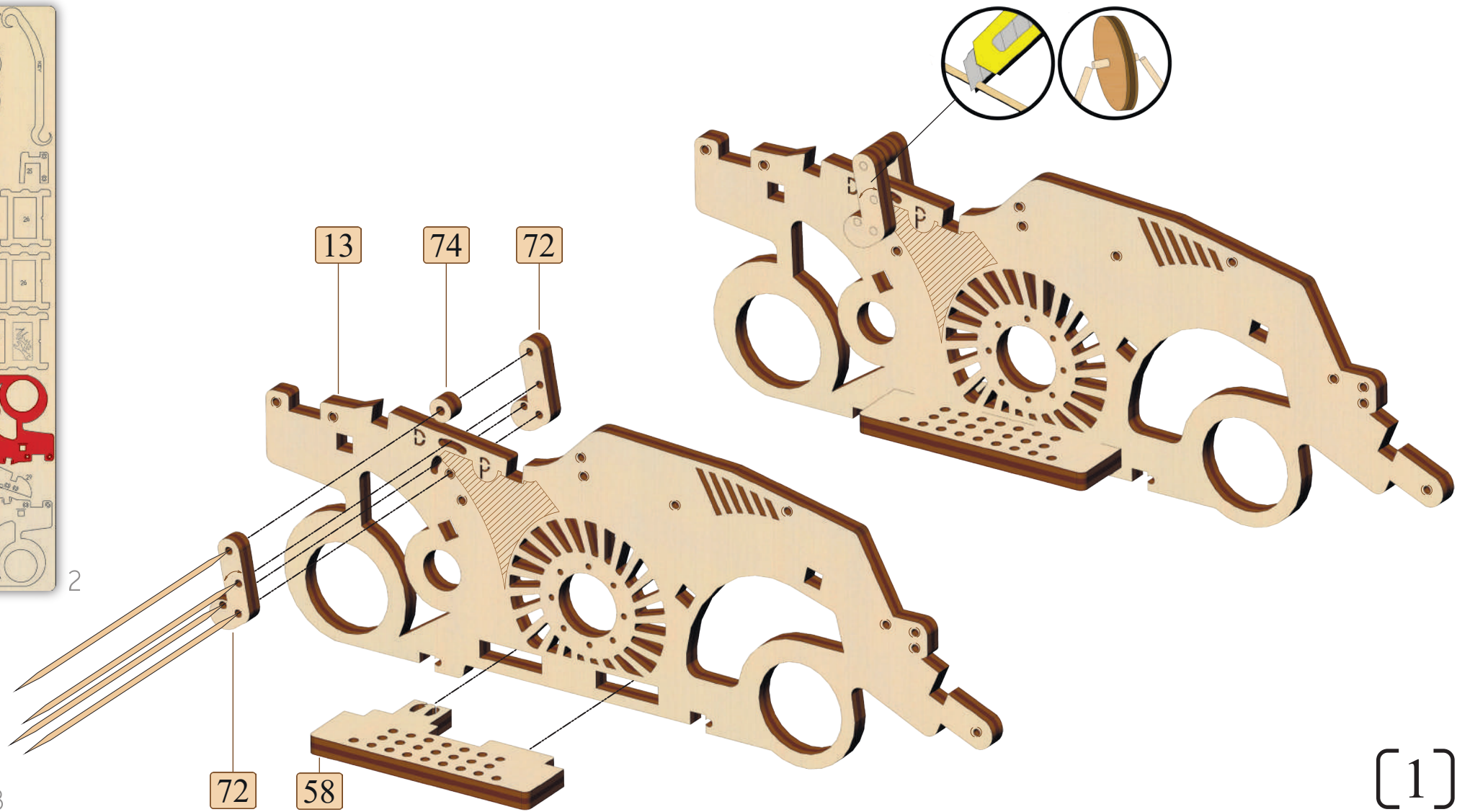
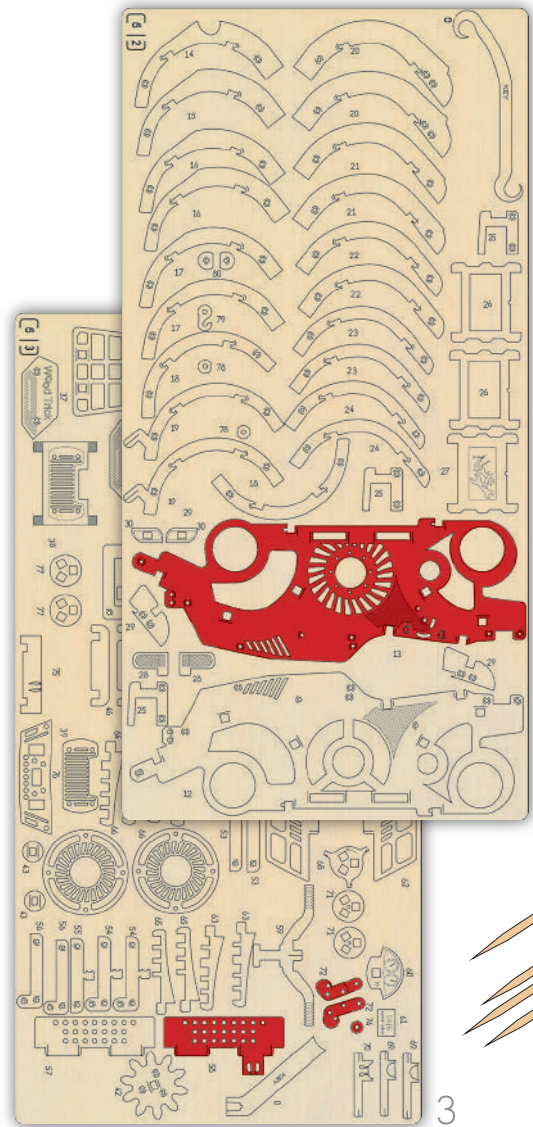
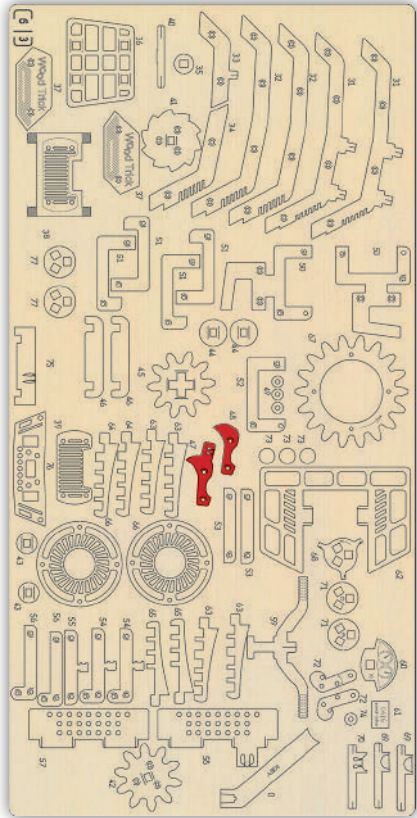
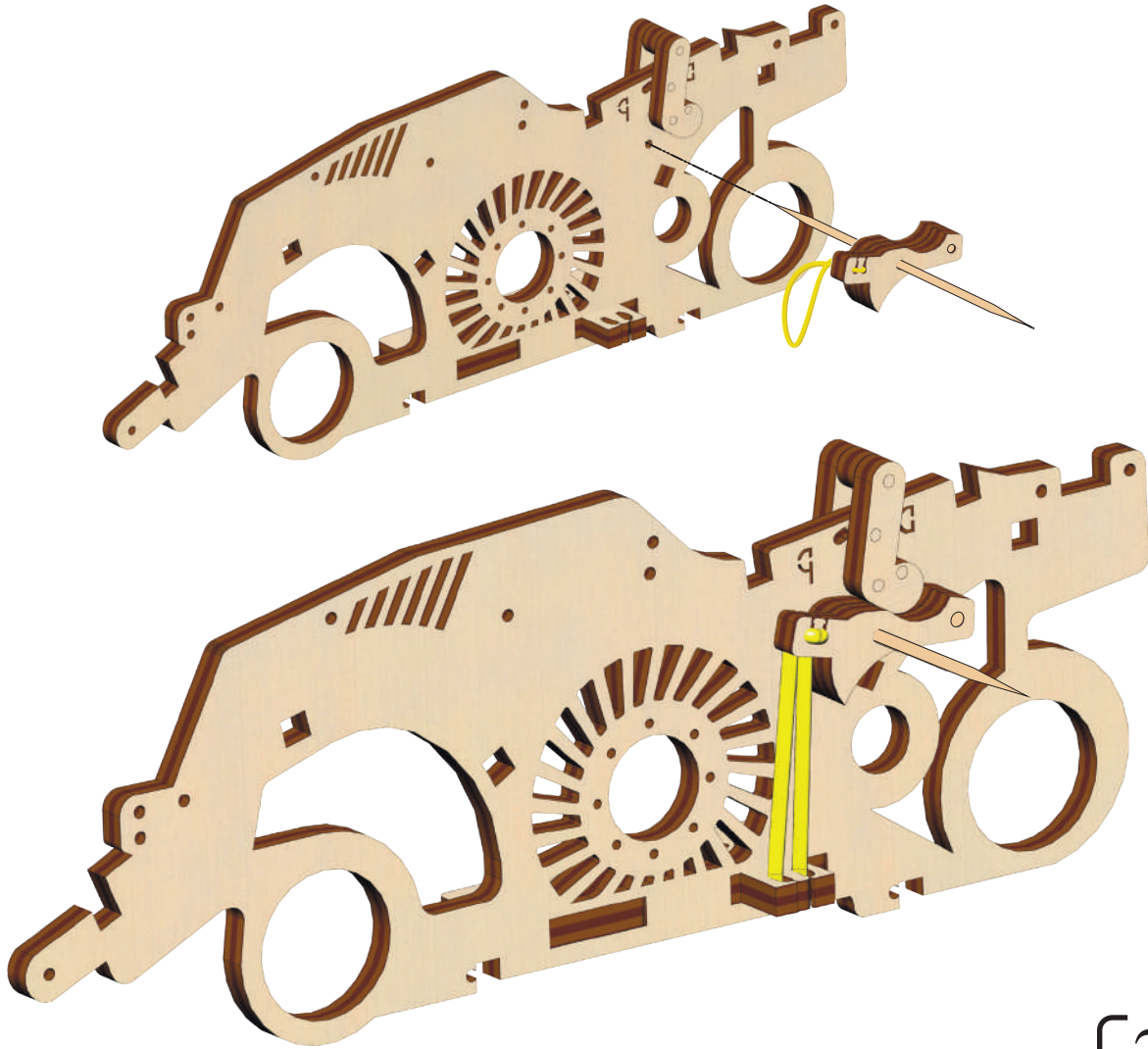
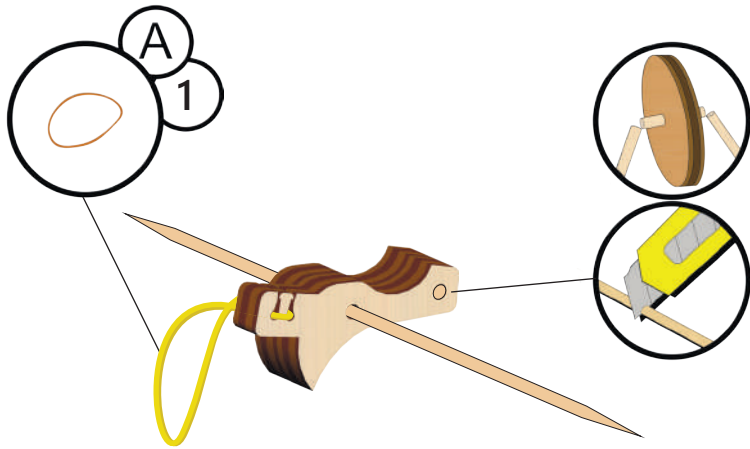
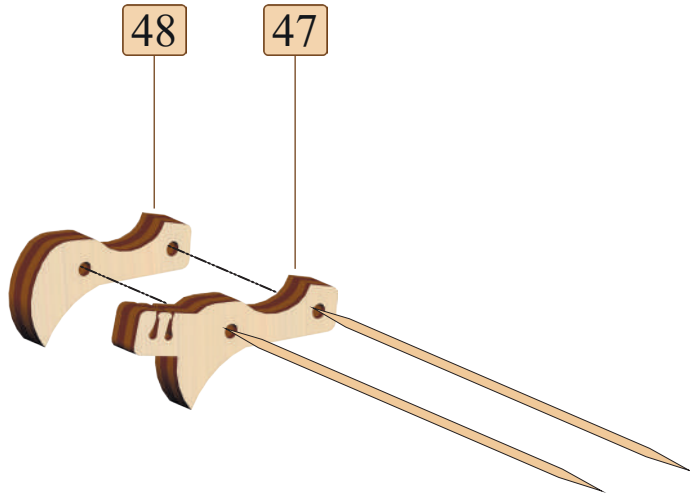


Wood Trick®

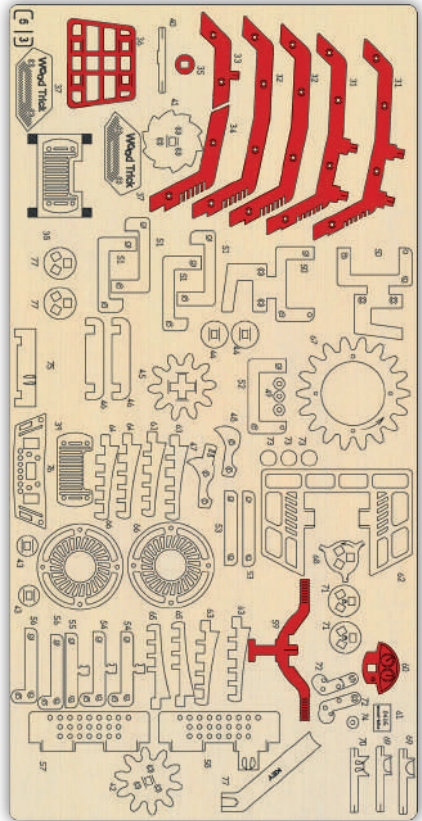




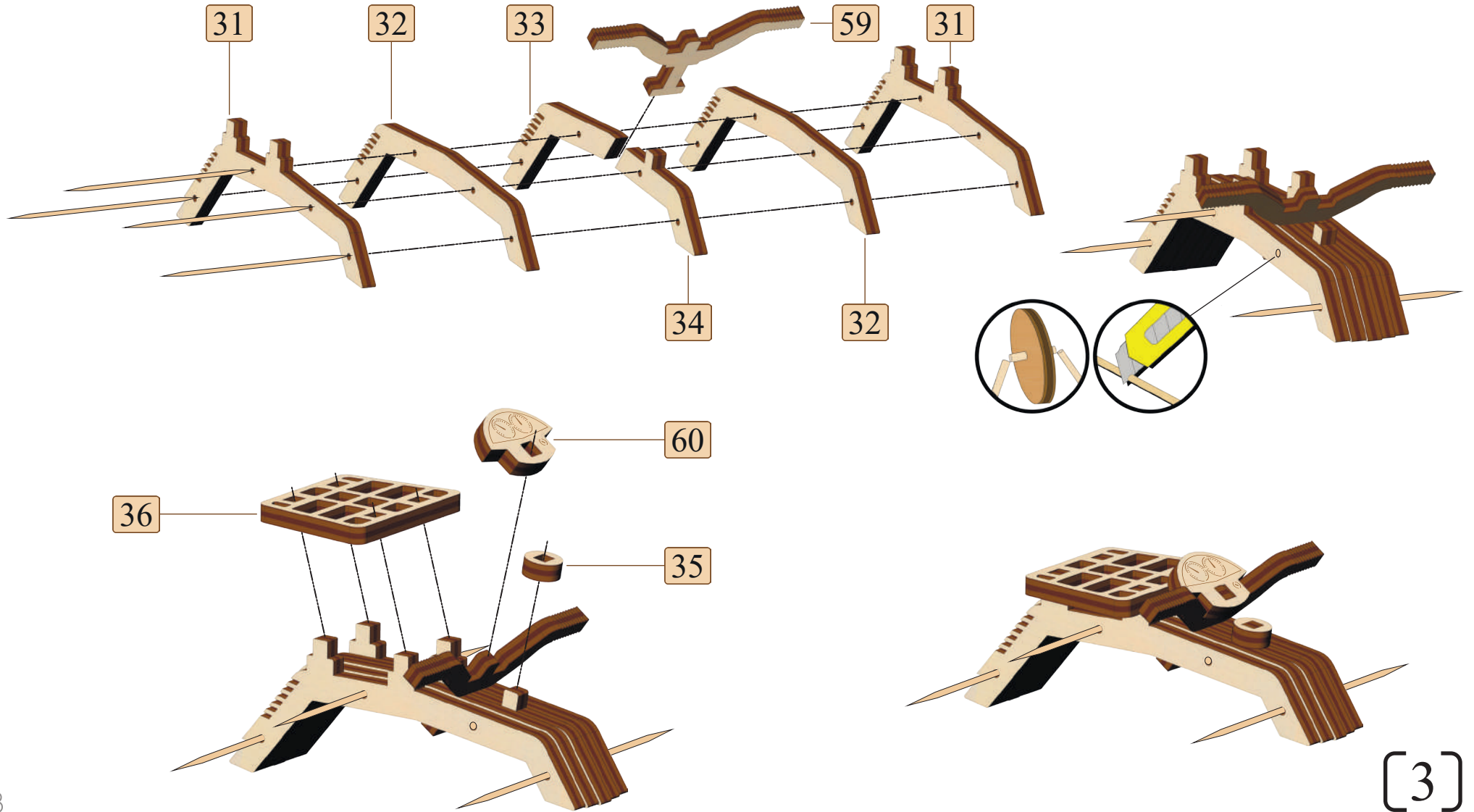
3

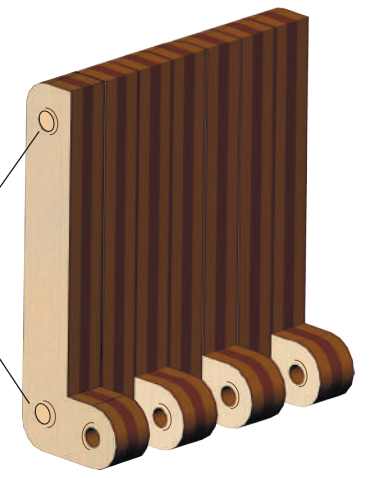
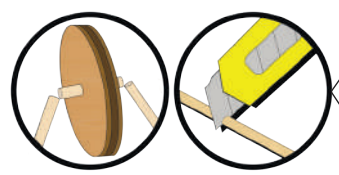
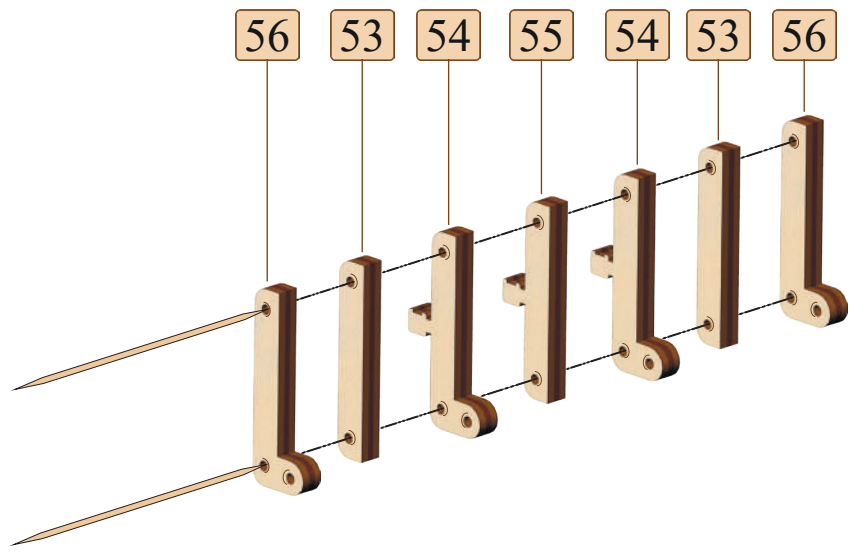
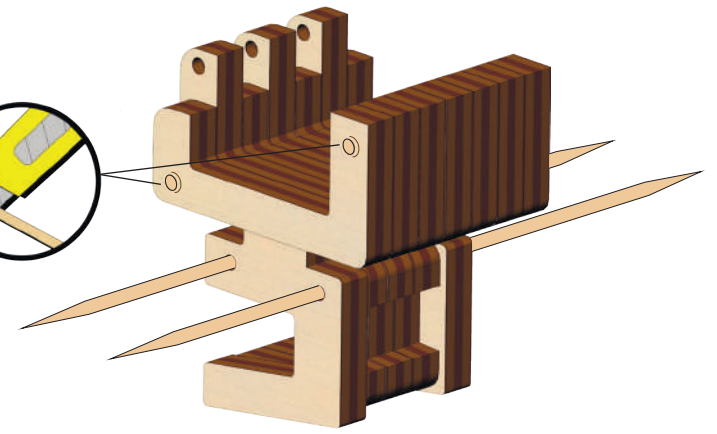
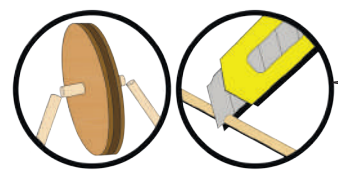
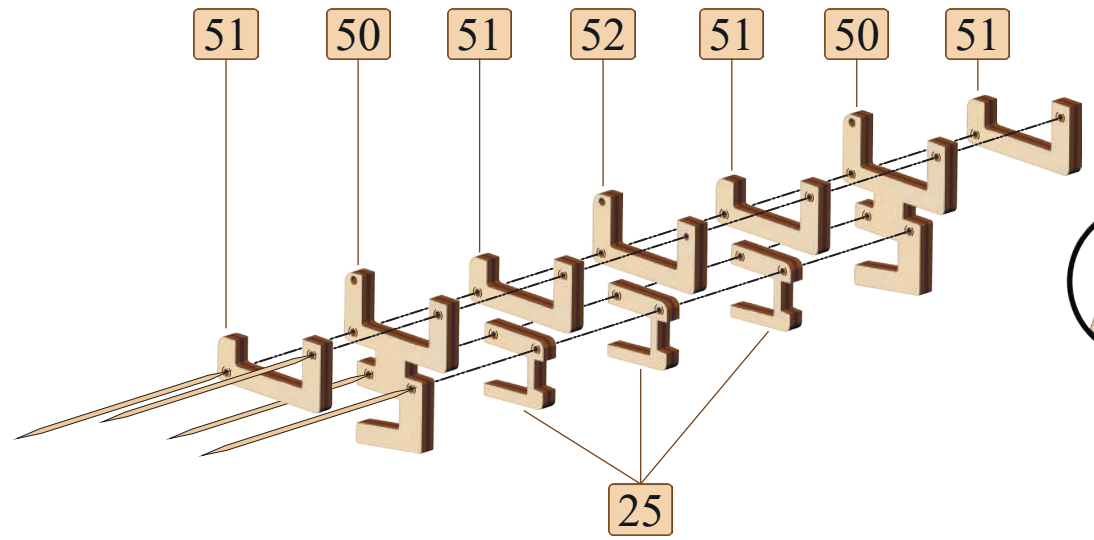
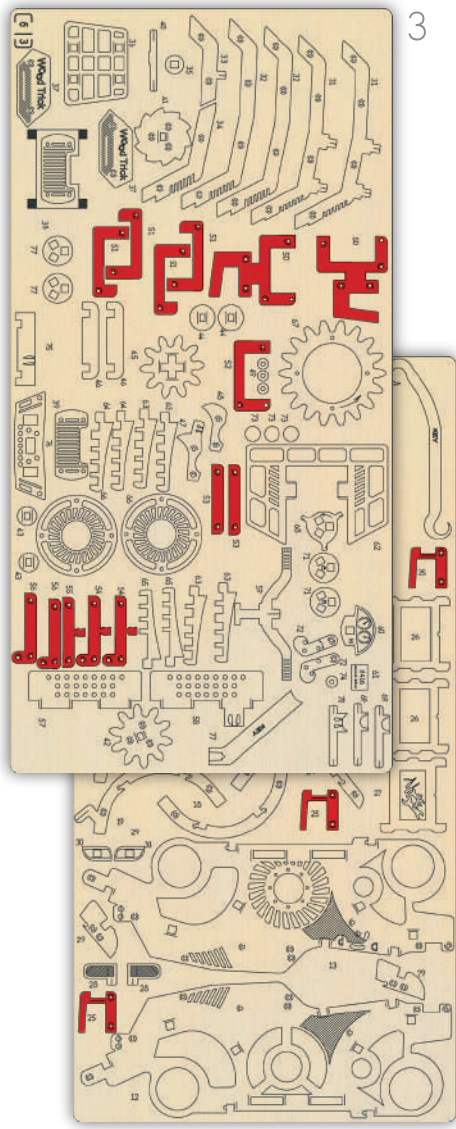


[2]

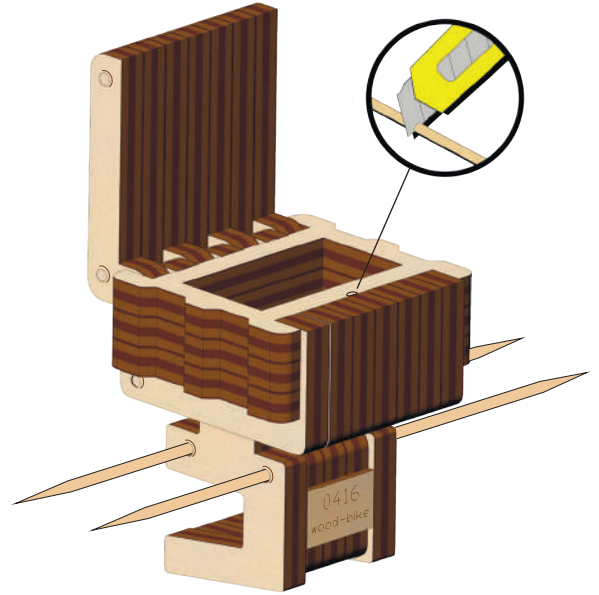
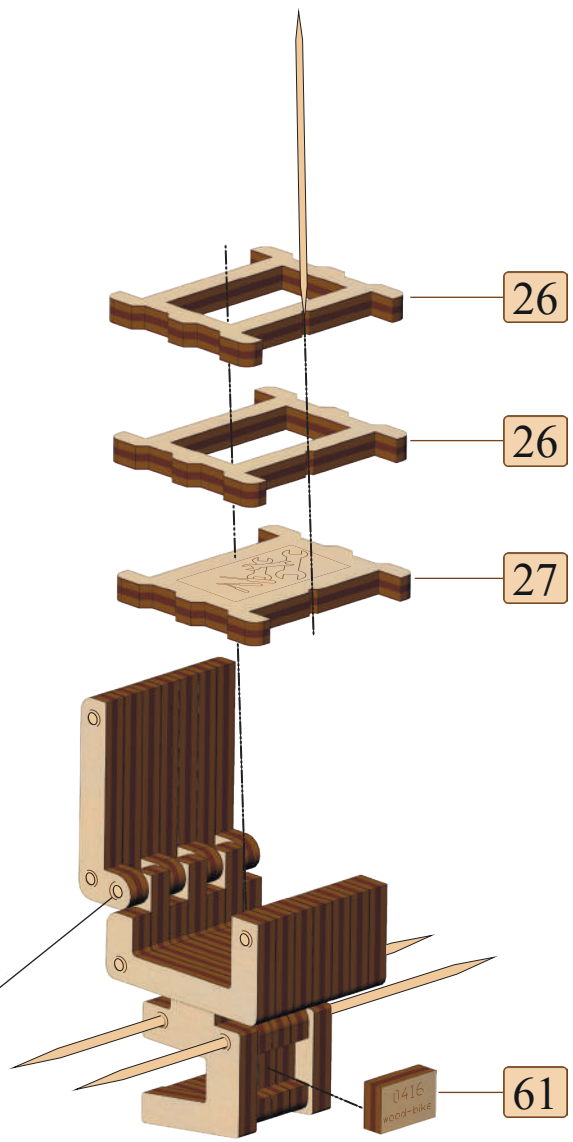
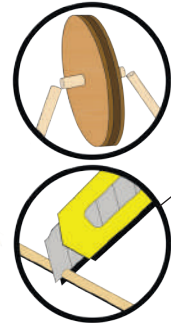
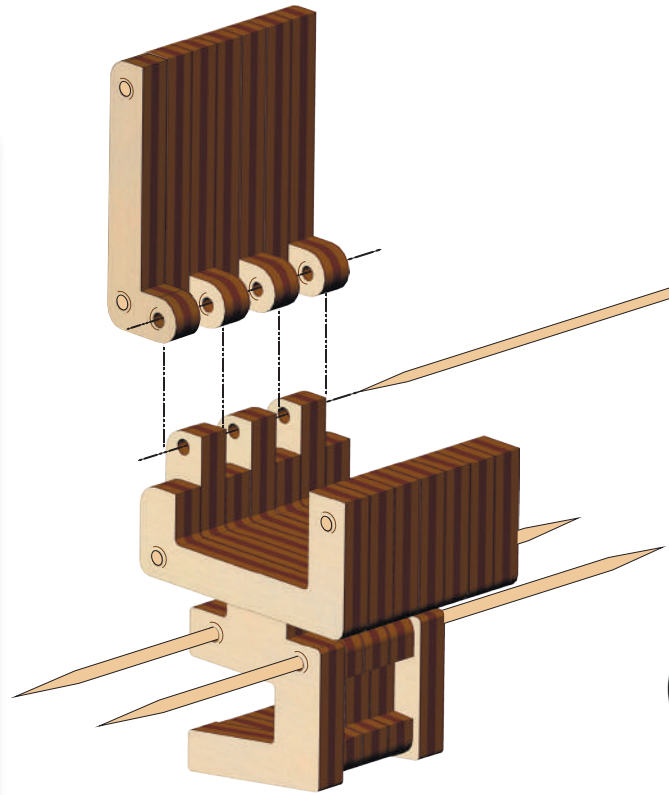
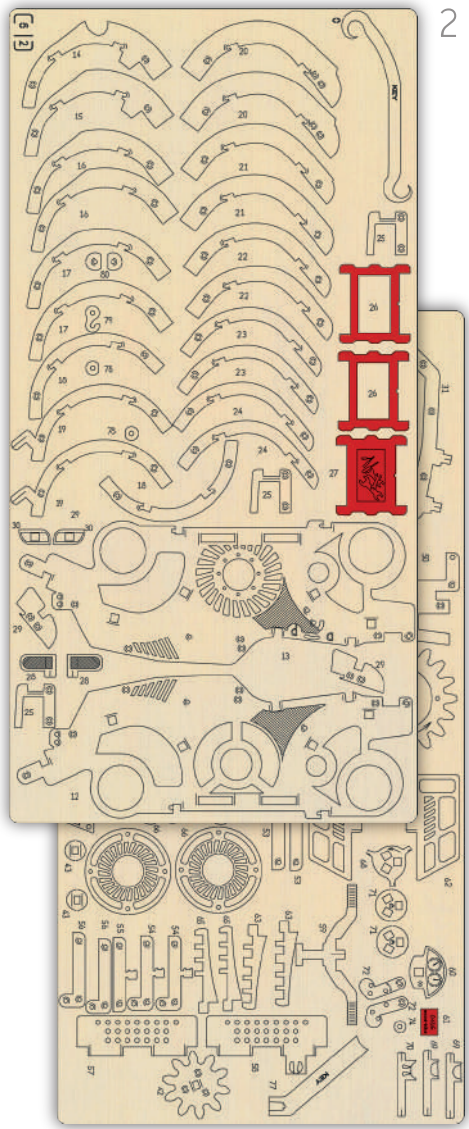


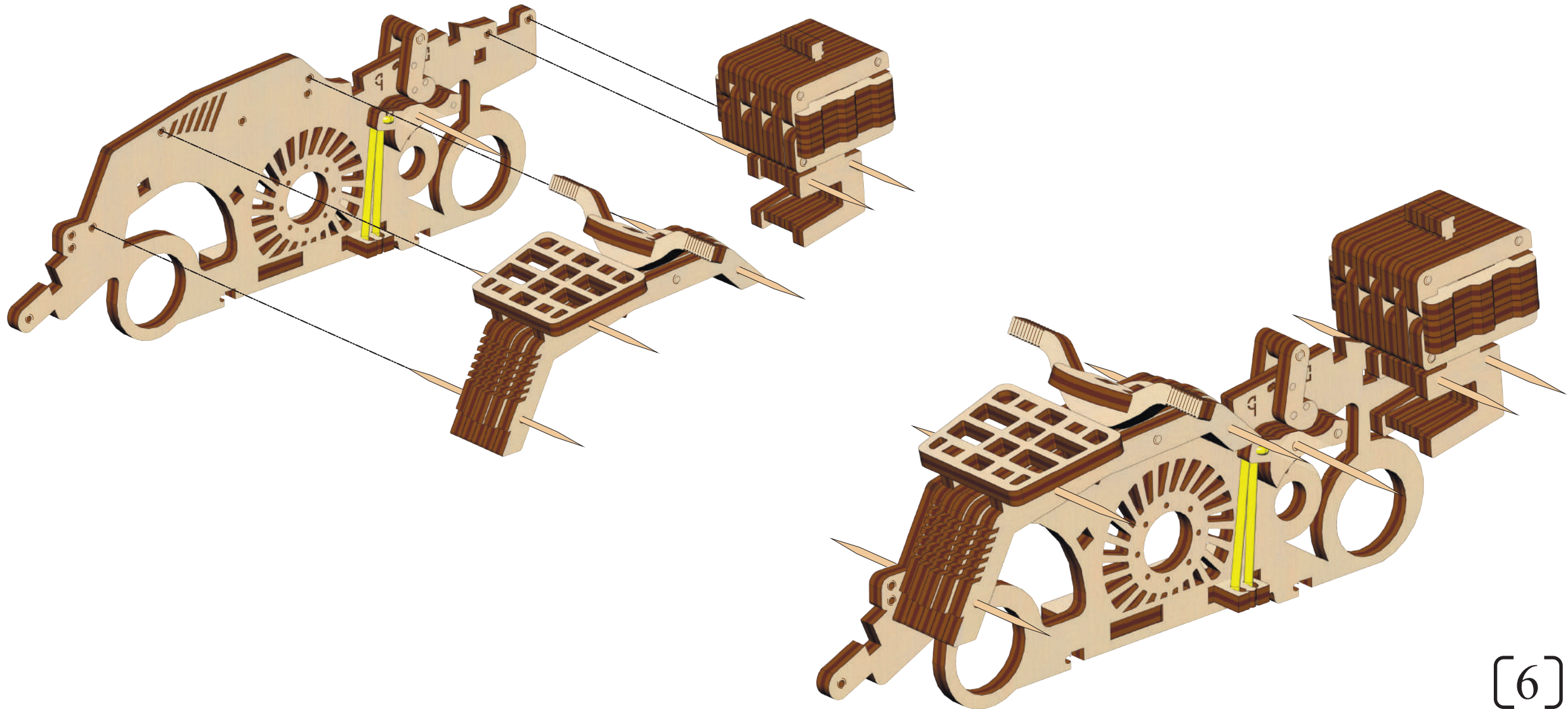
3

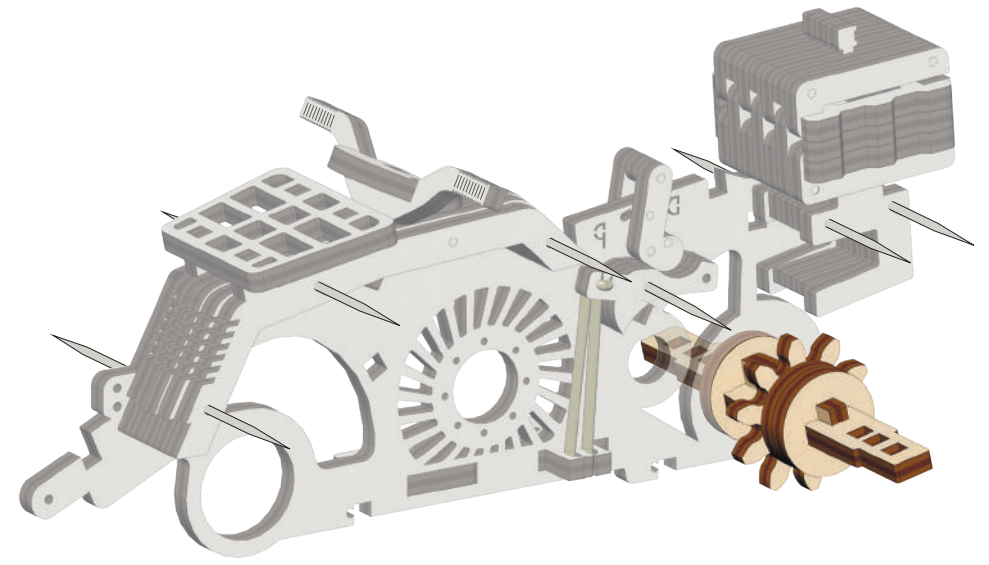
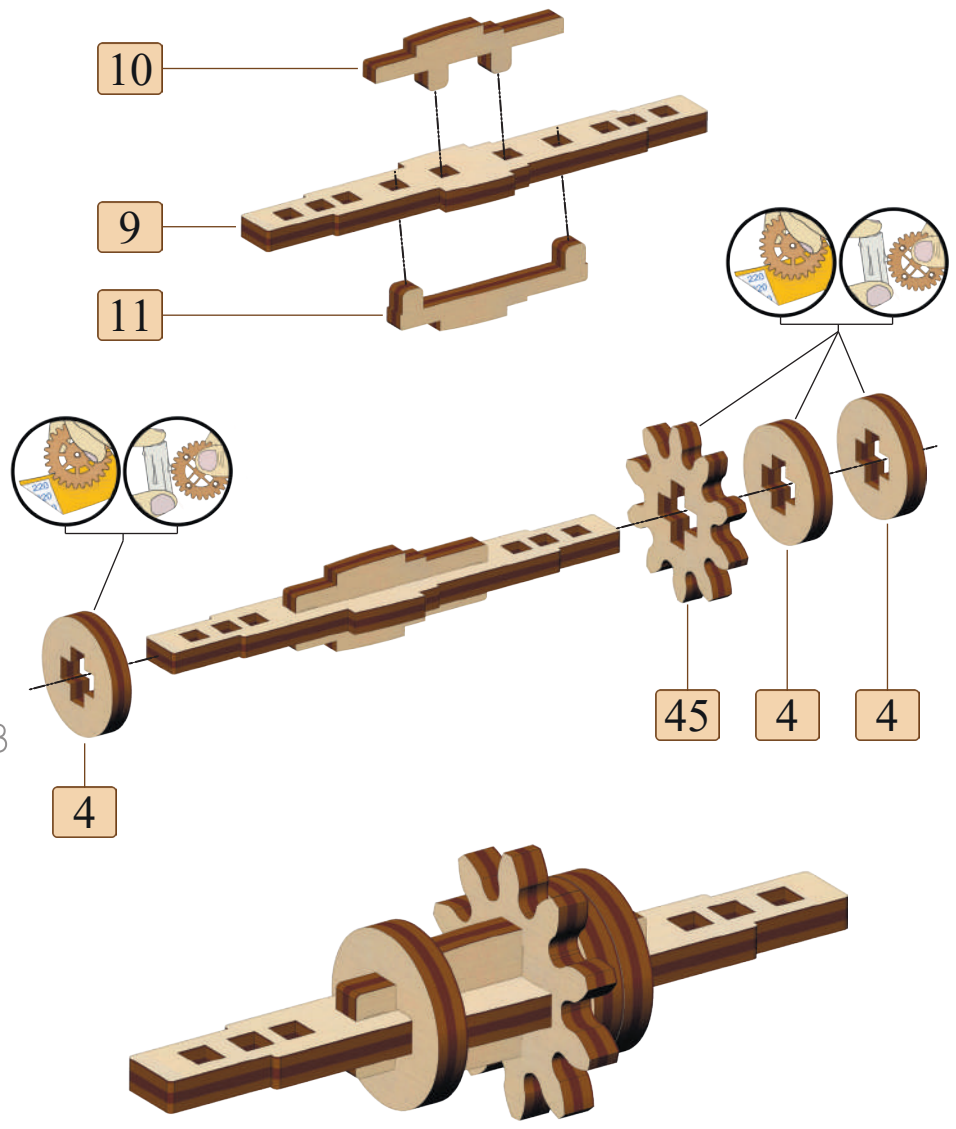
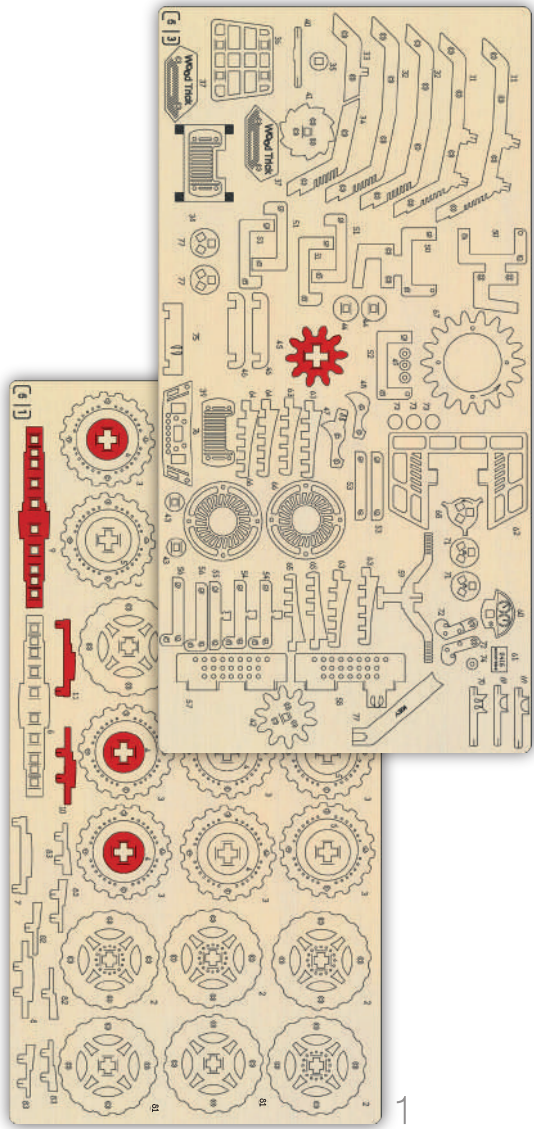




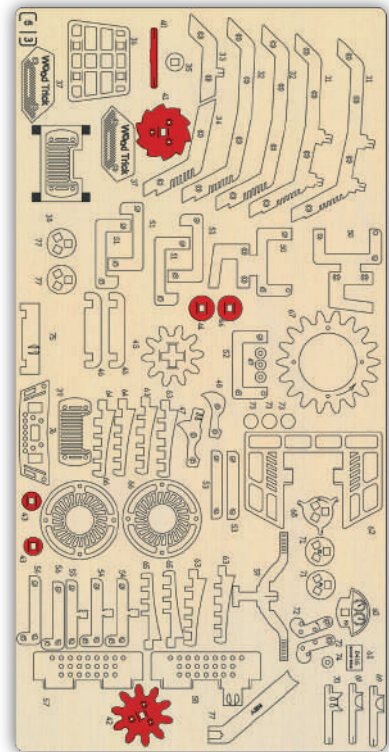
[4]



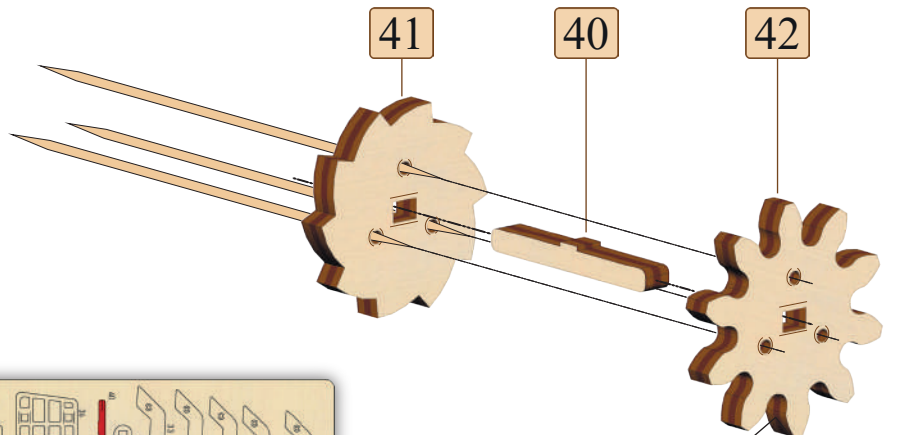








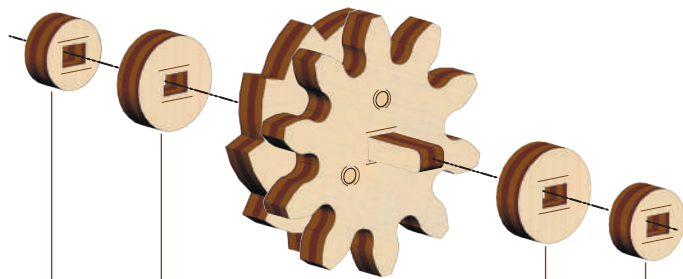
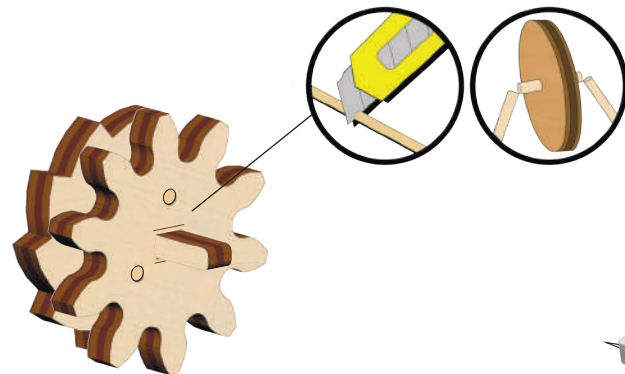
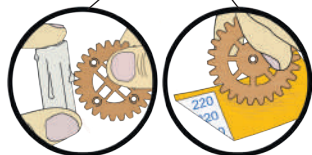
3



41

40

42

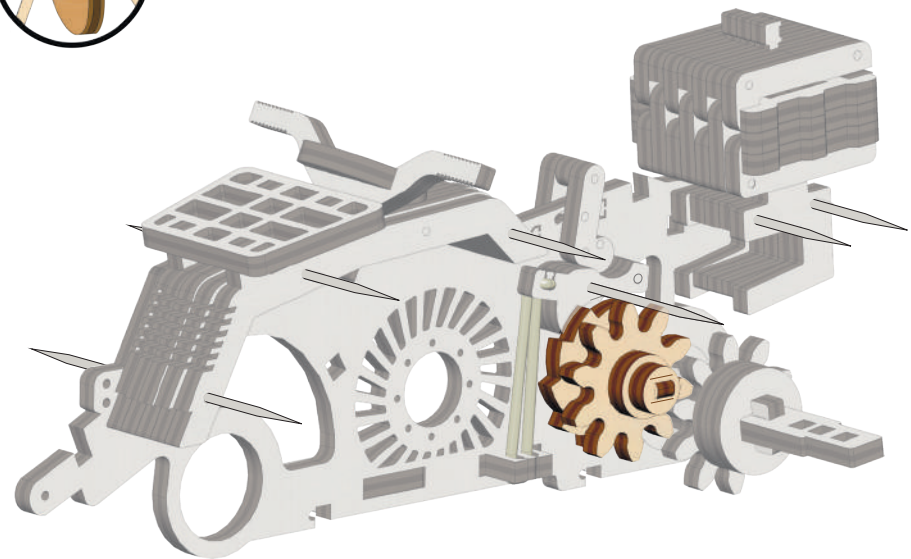


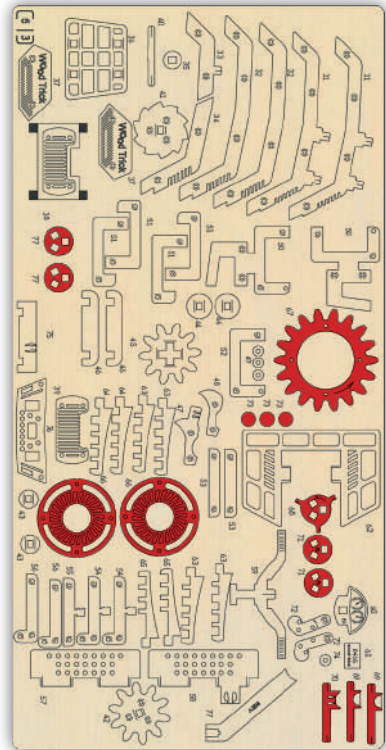
43

44

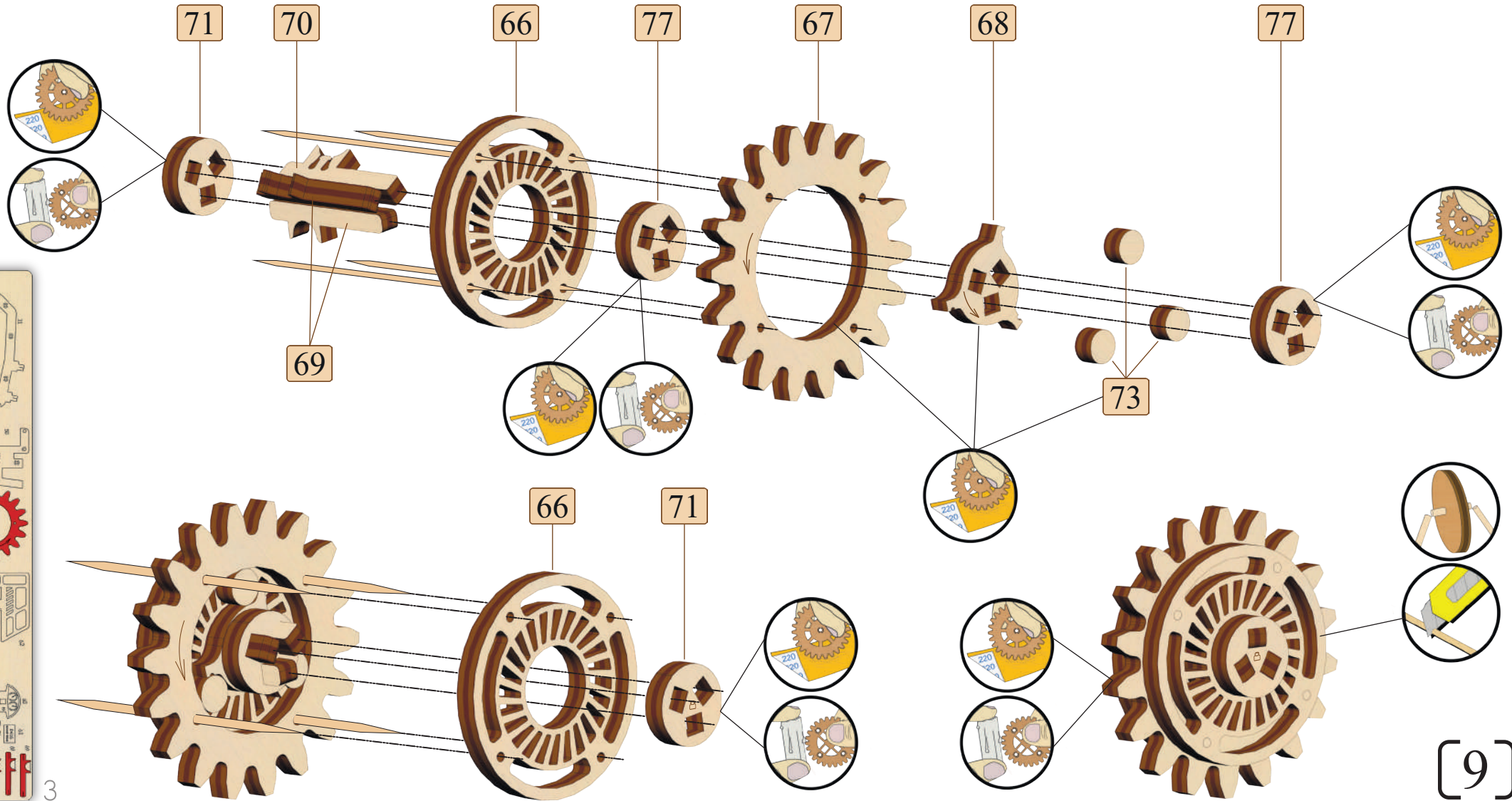
44

43

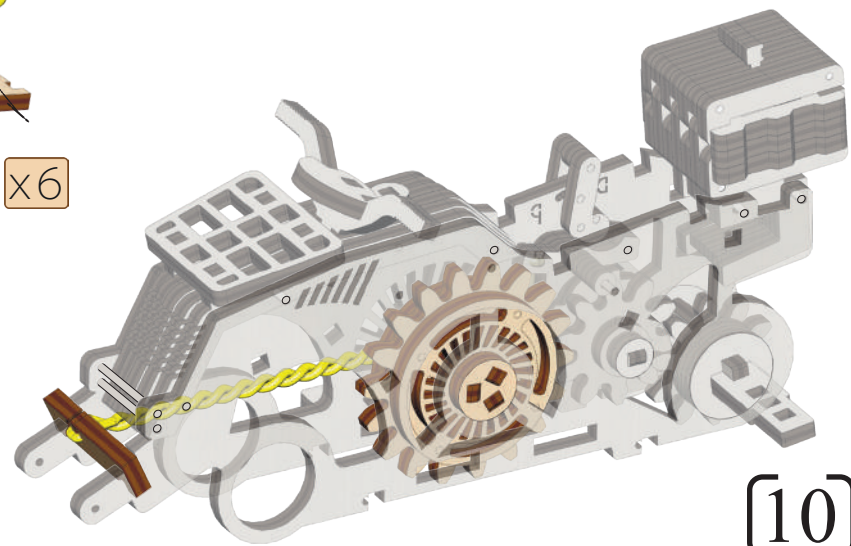
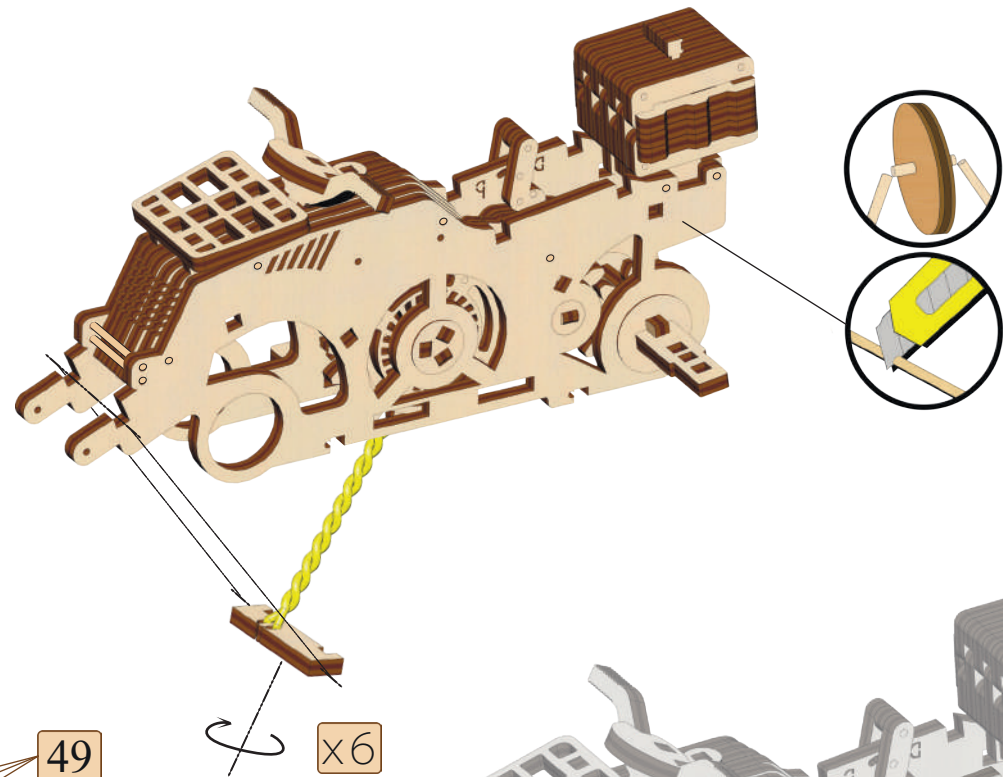
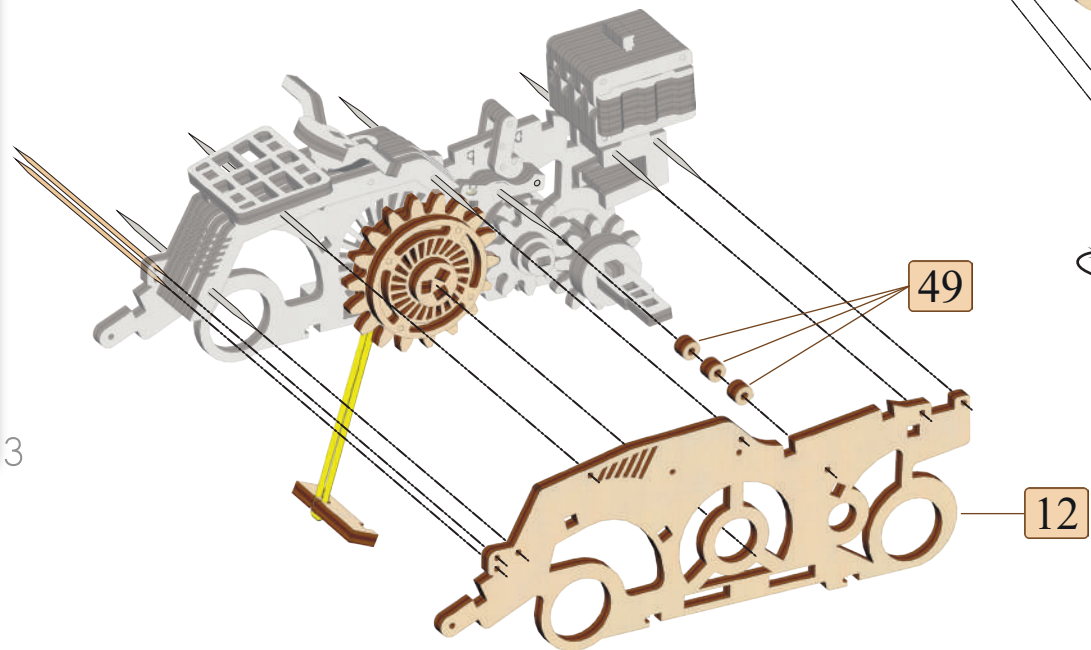
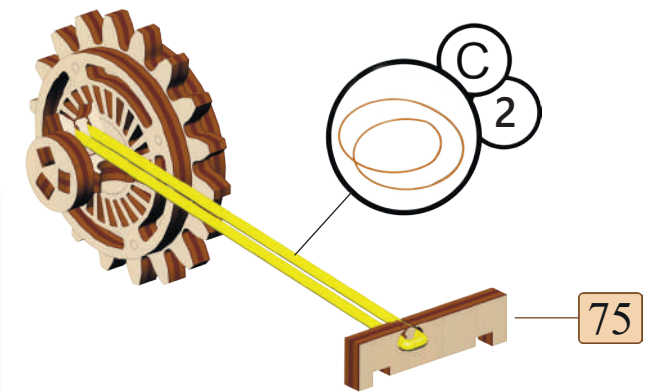
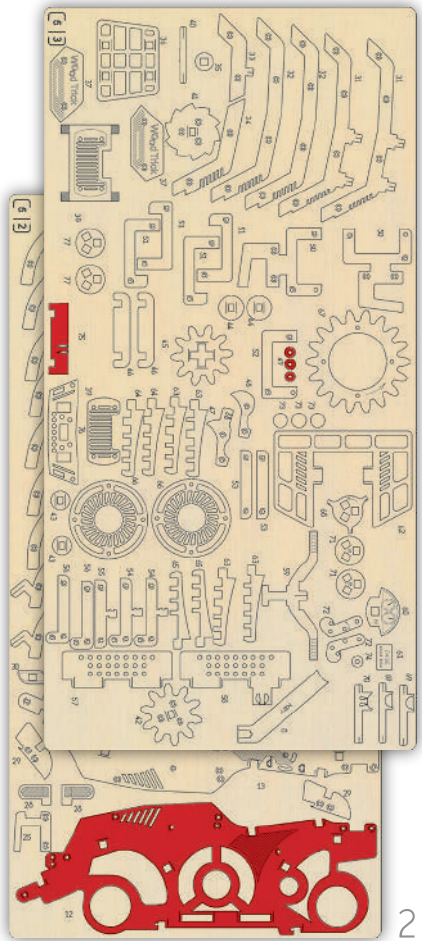


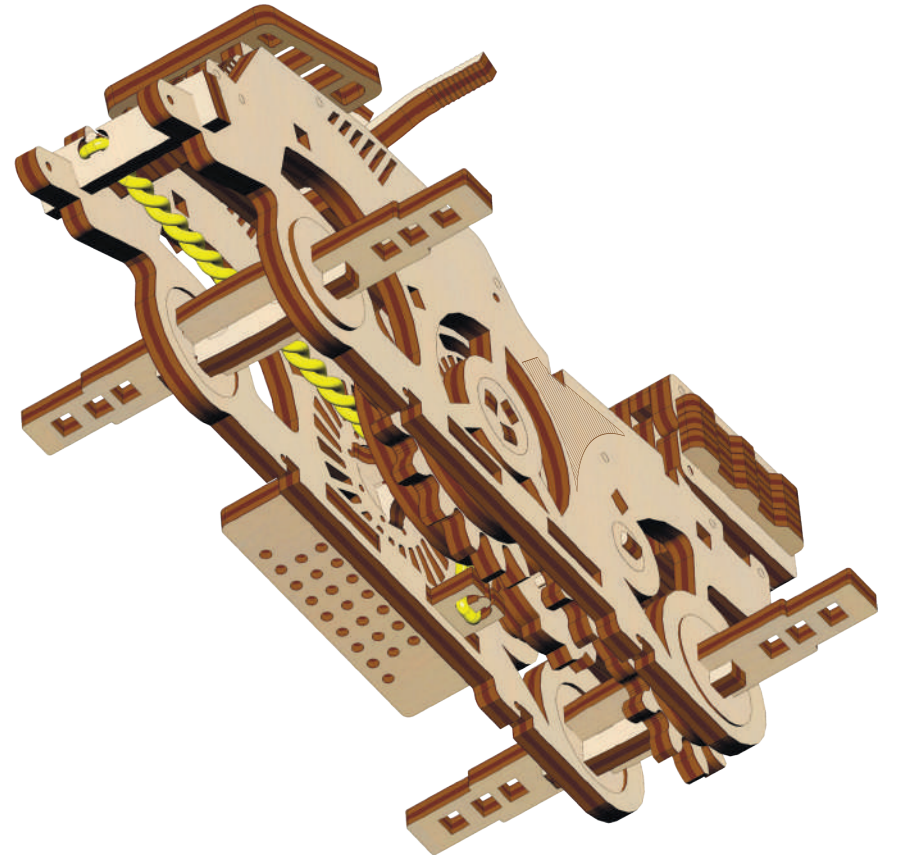
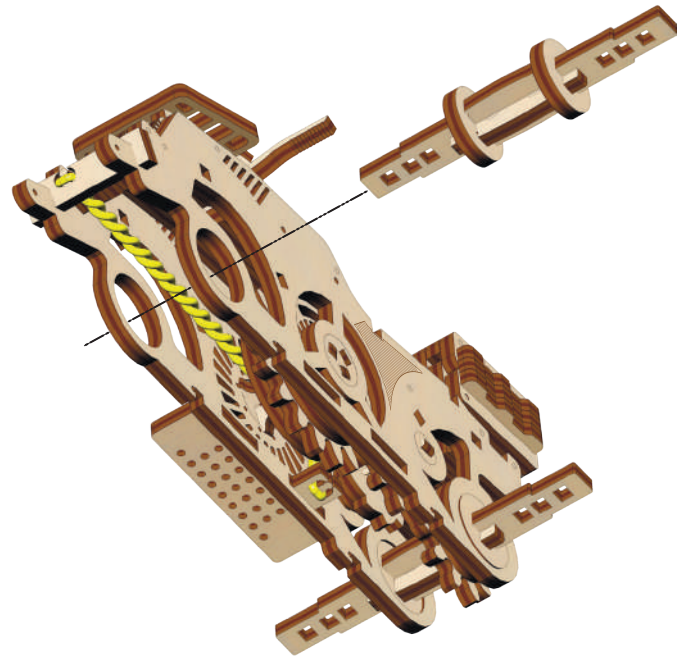
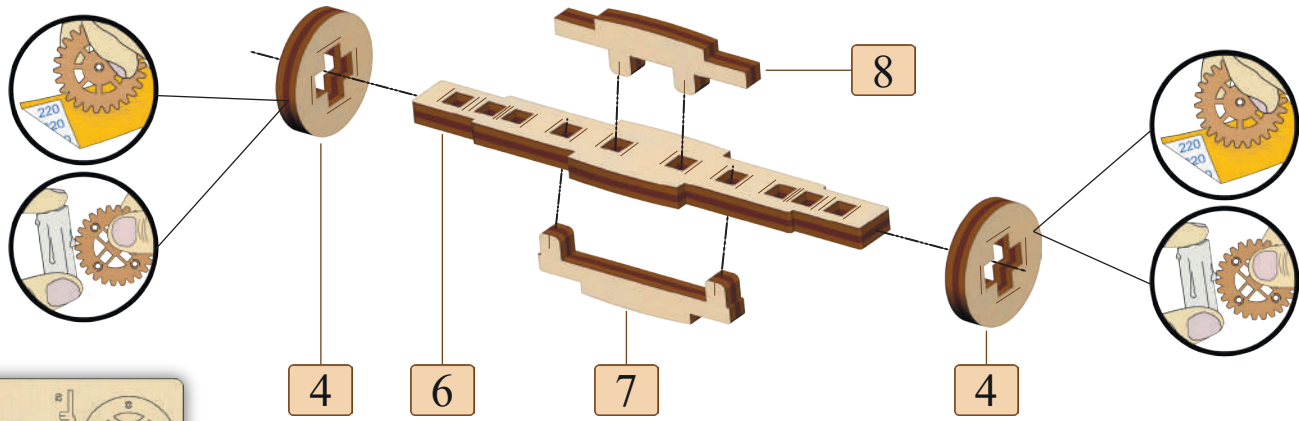
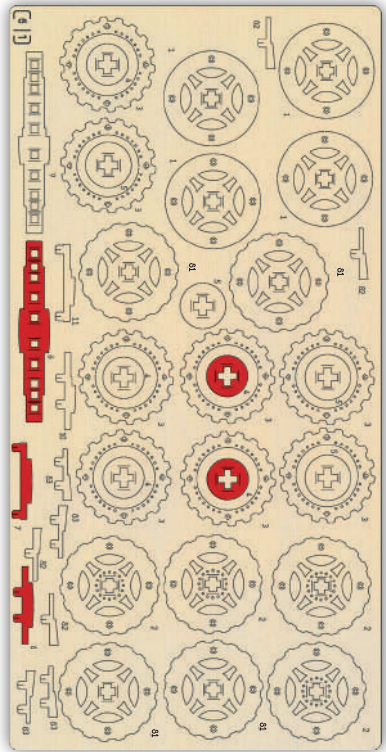


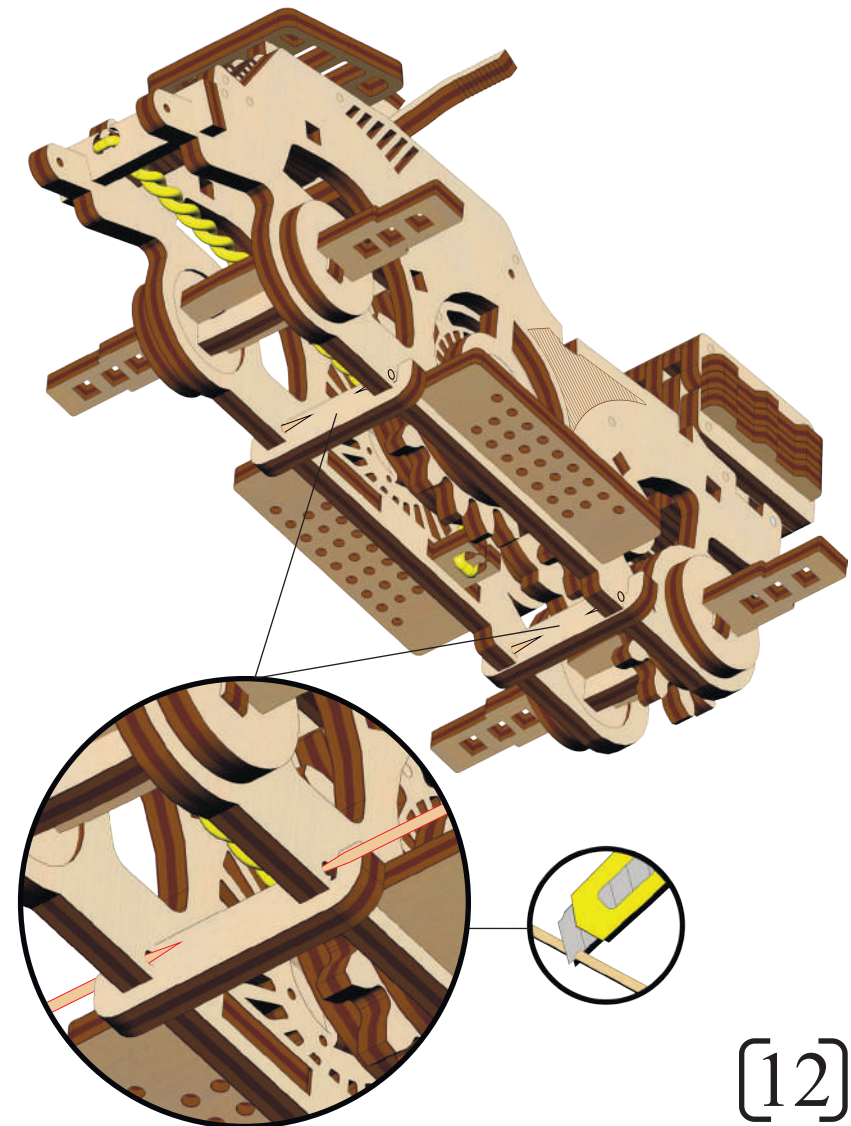
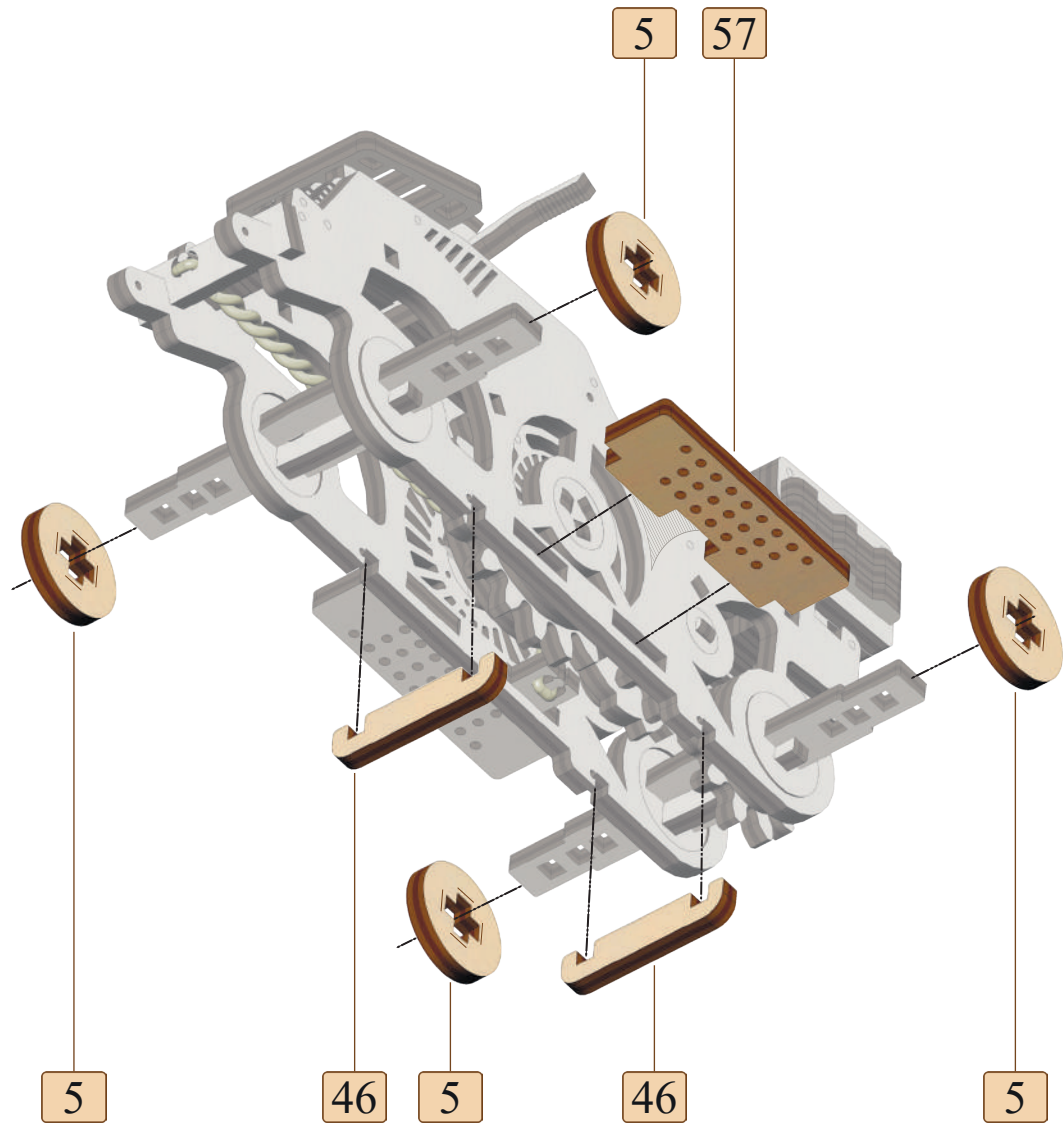
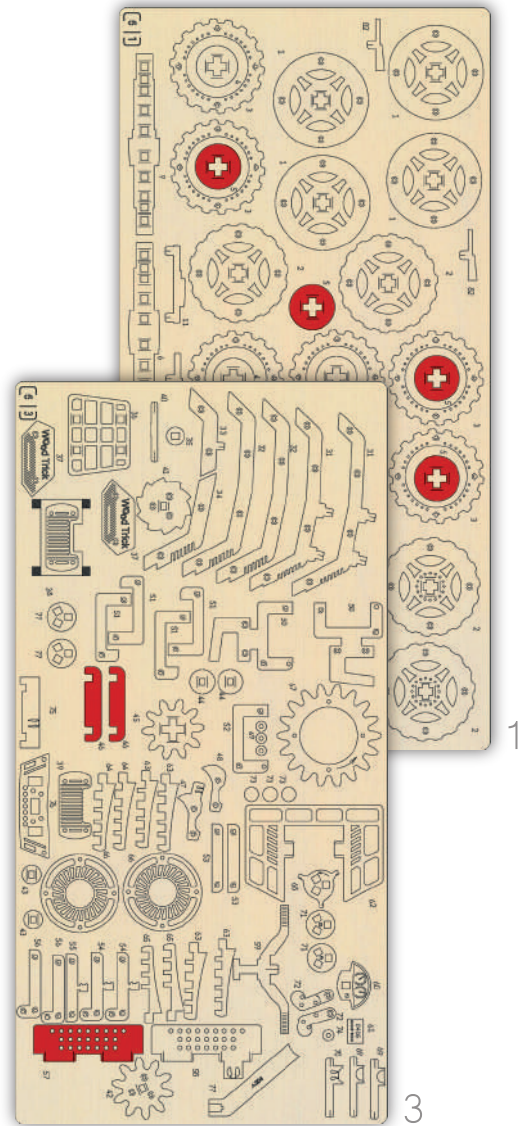
3

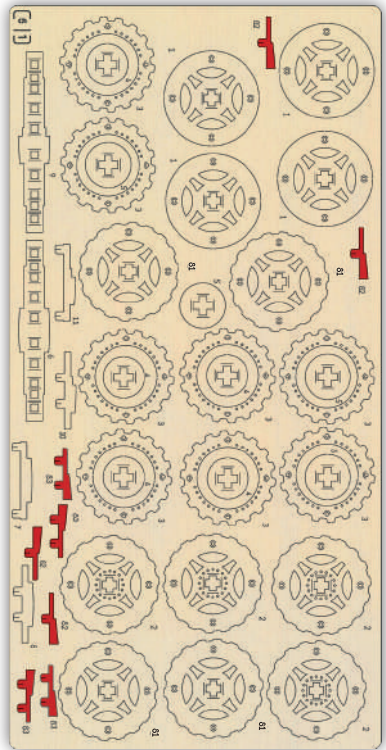


[9]

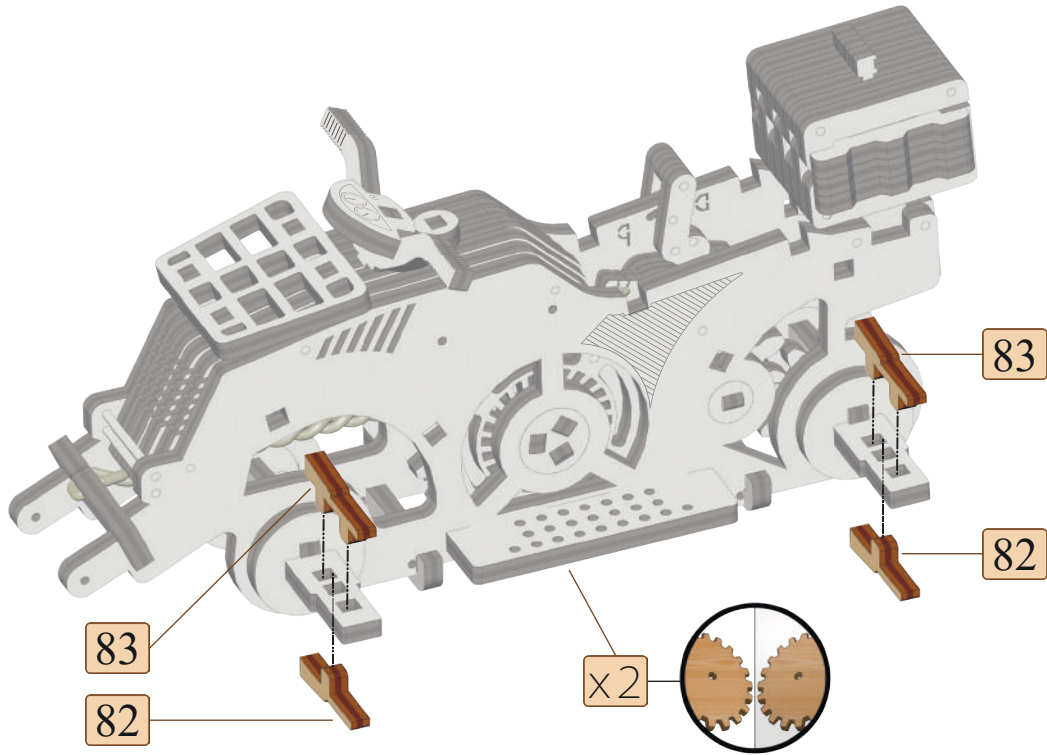


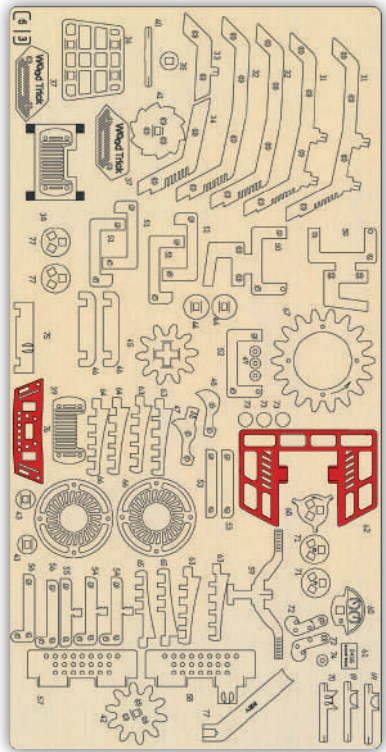




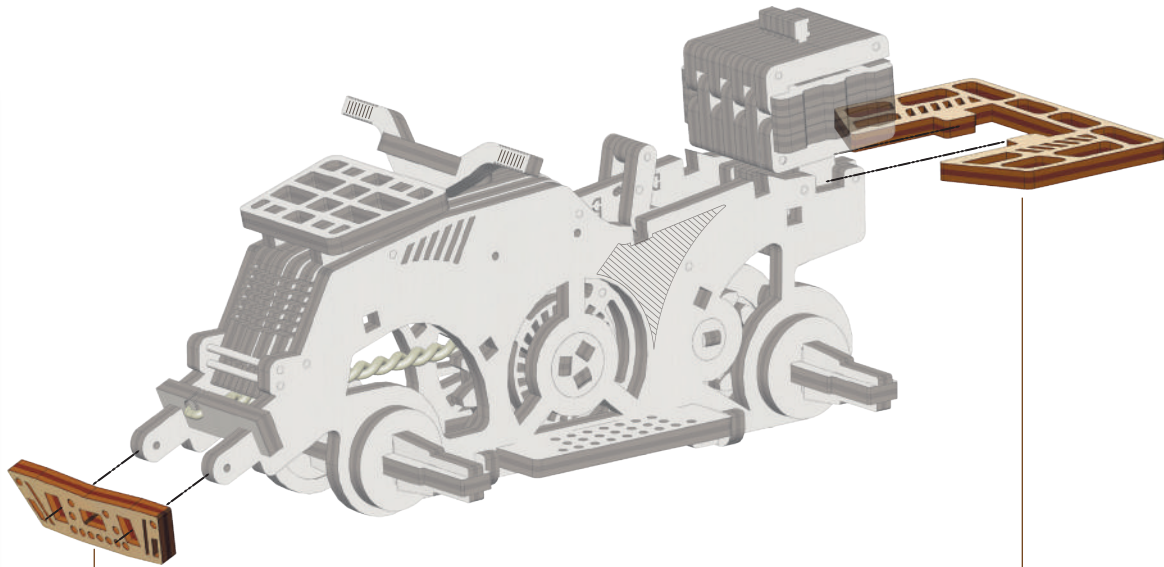


1



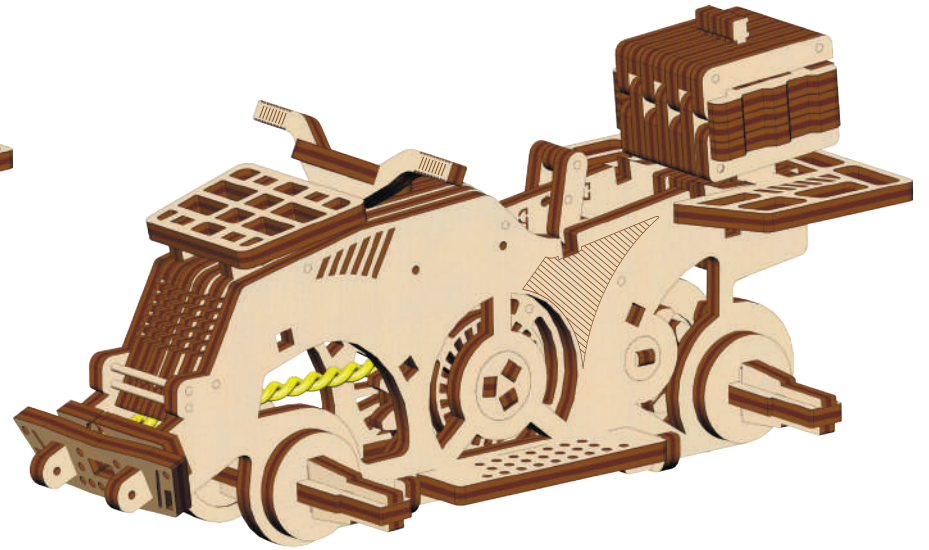


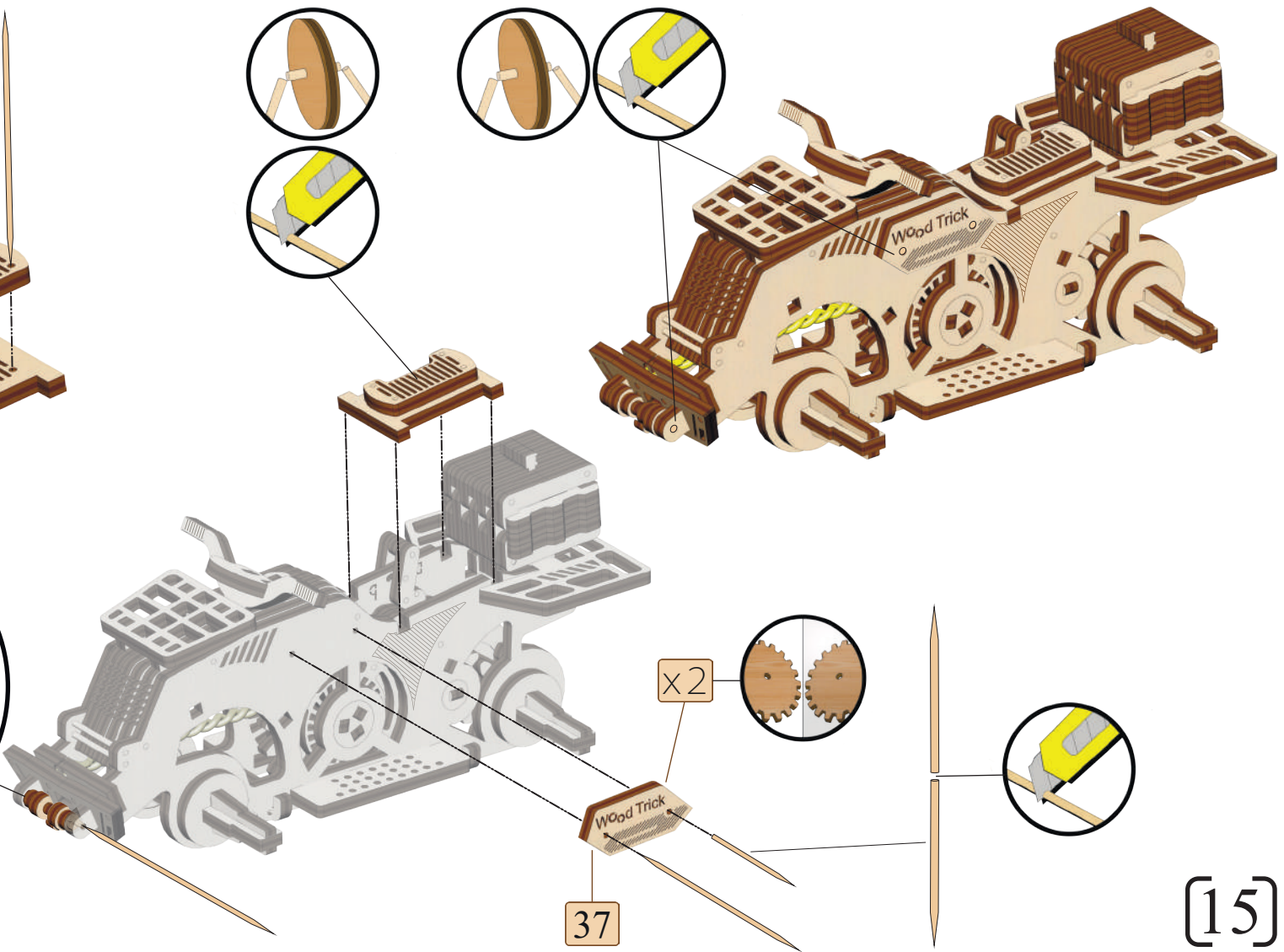
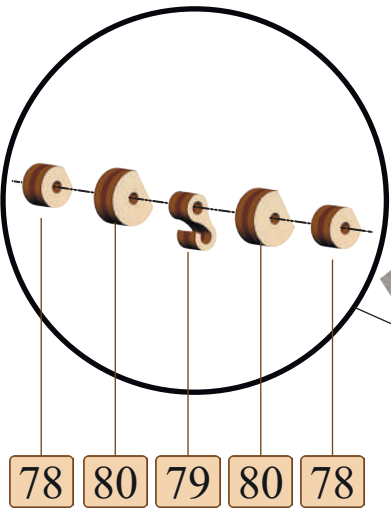
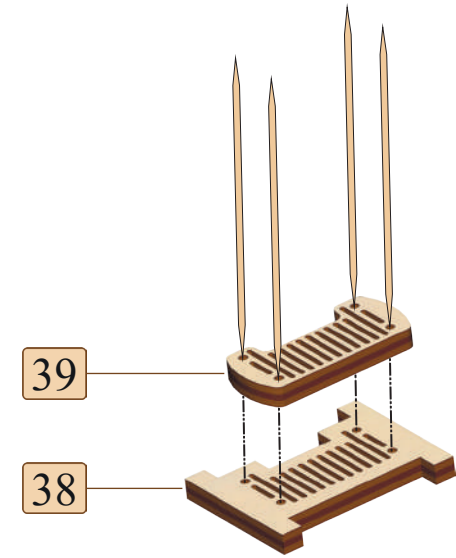
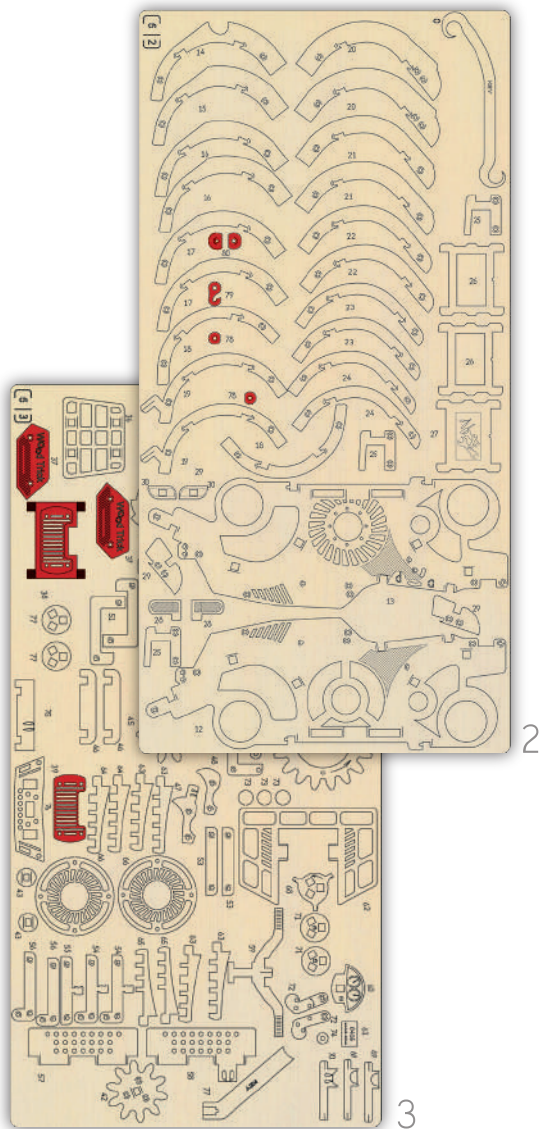
3



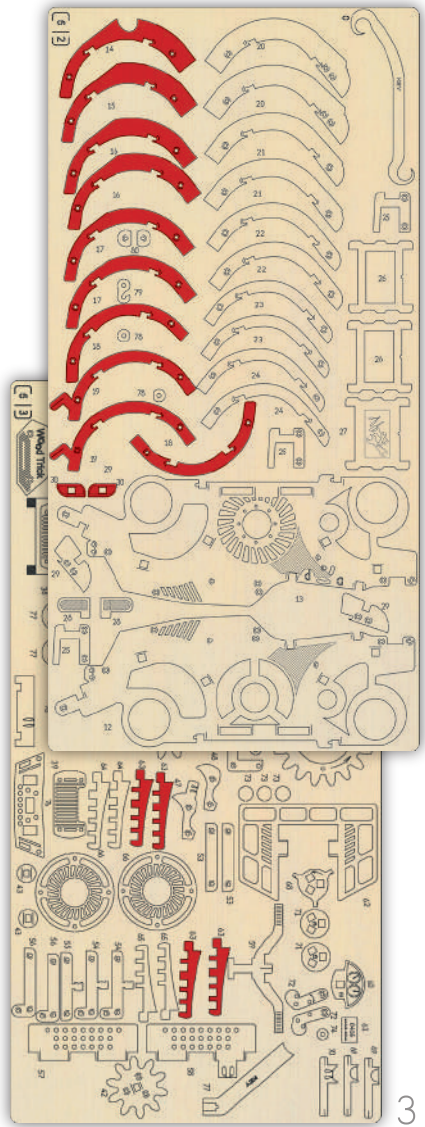
76

62



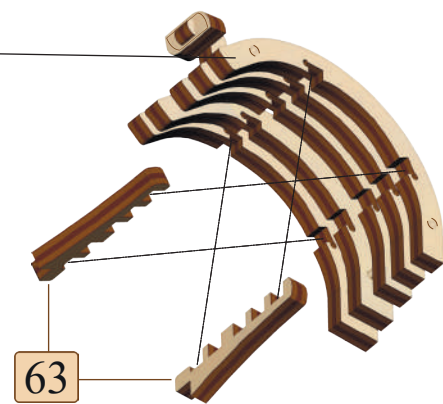
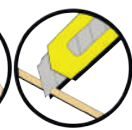
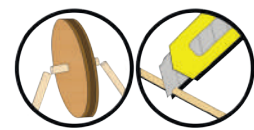
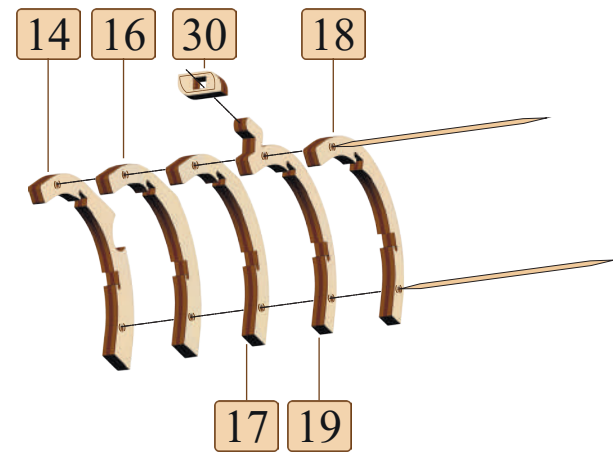
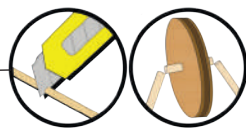
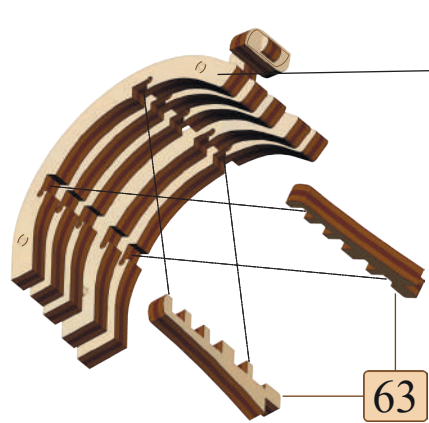
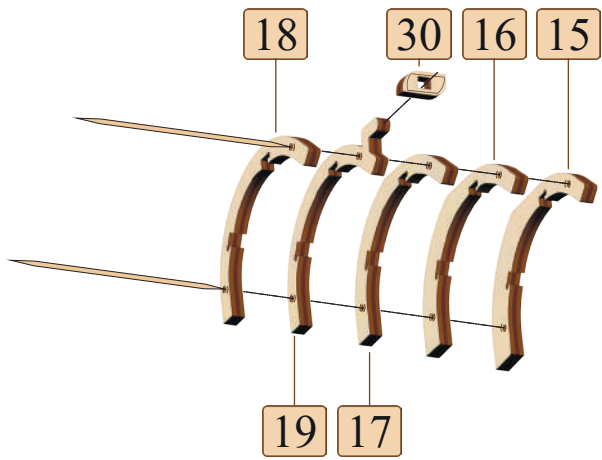




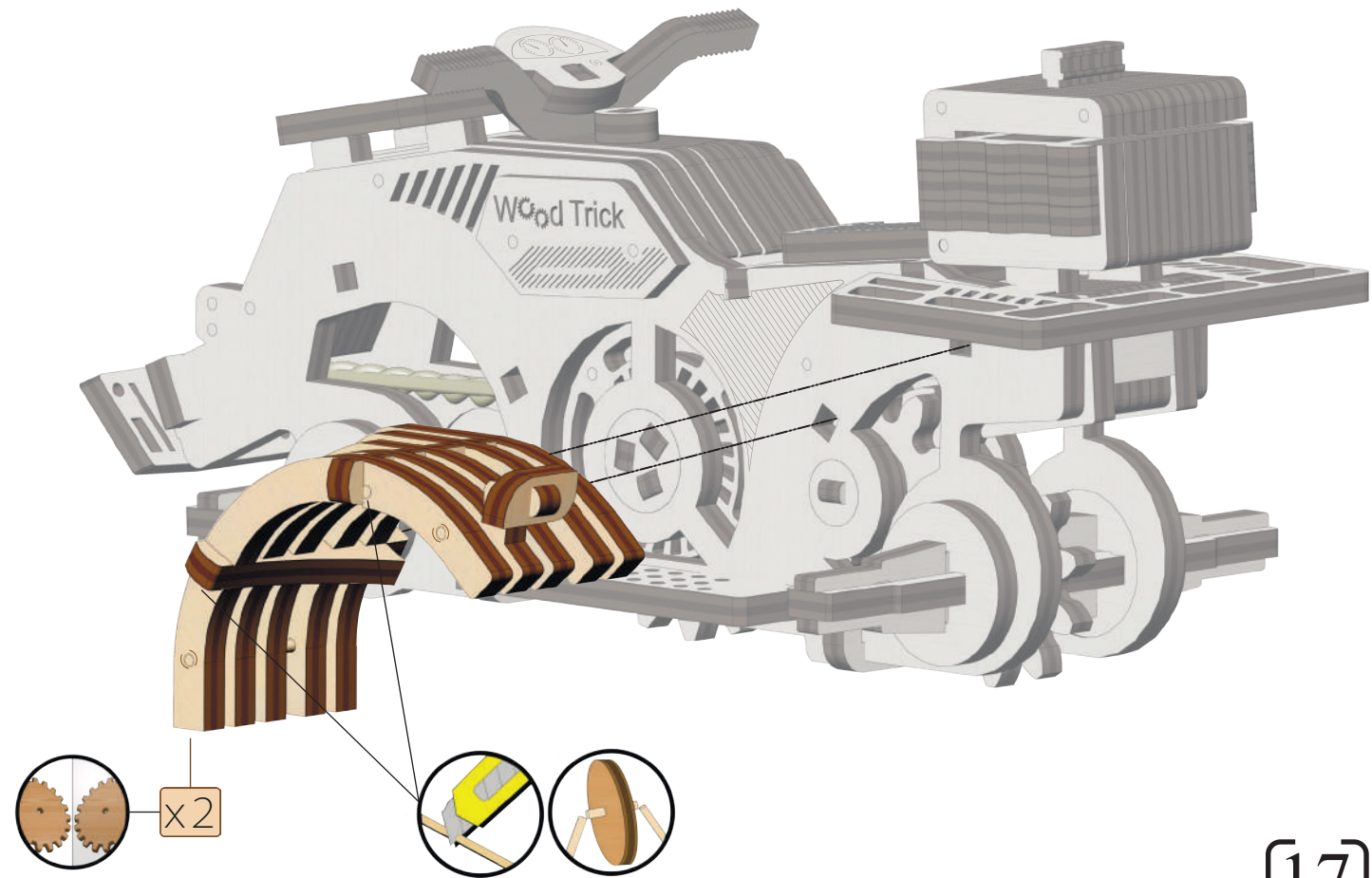
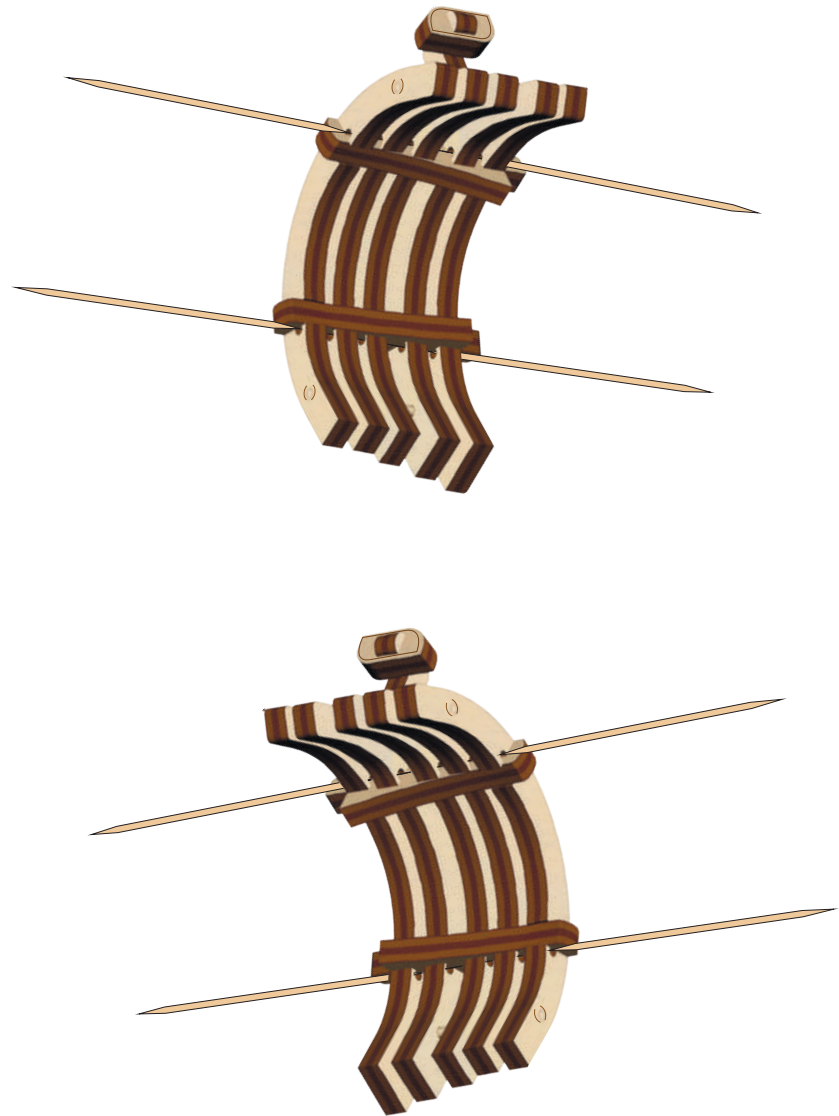


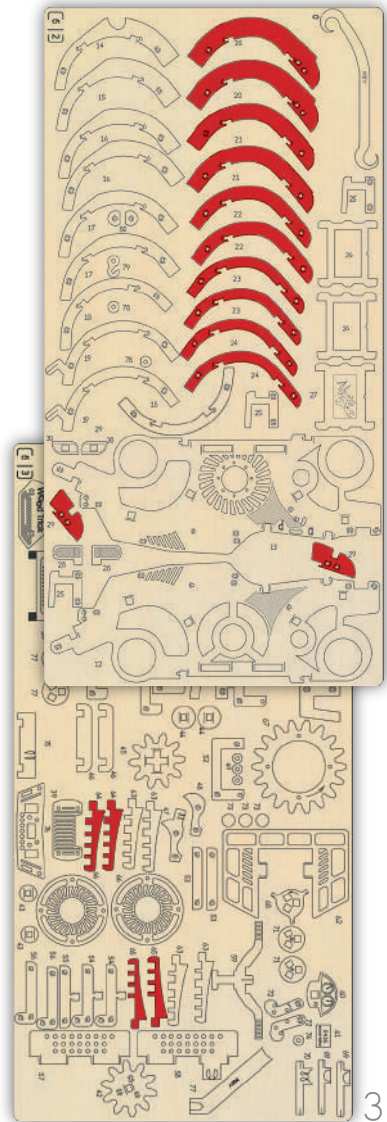
2

3



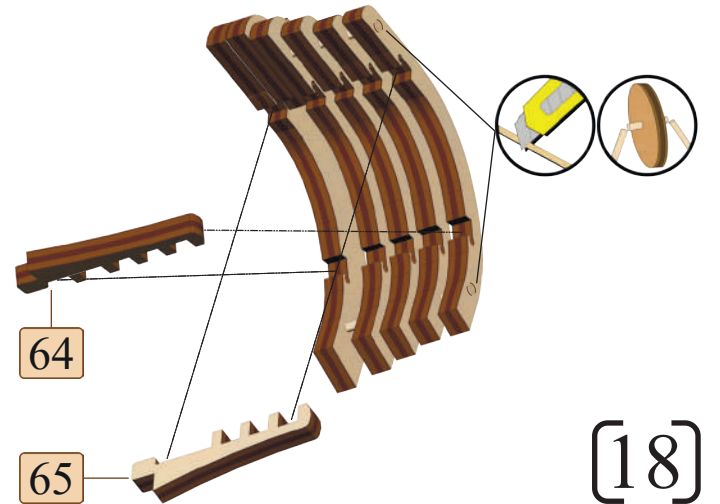
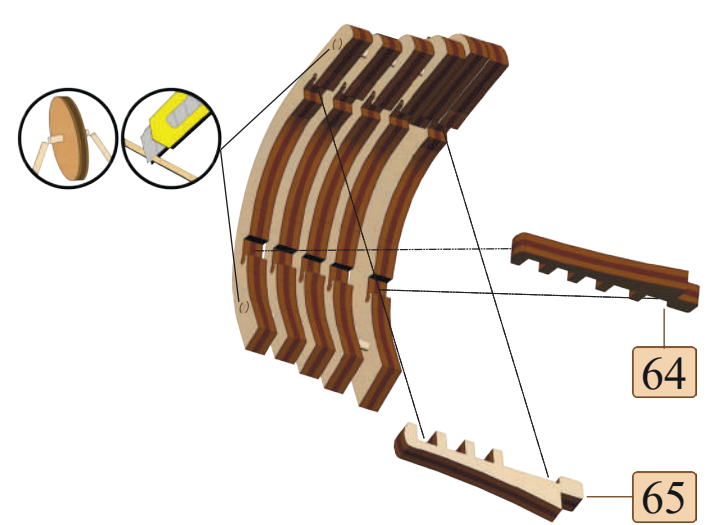
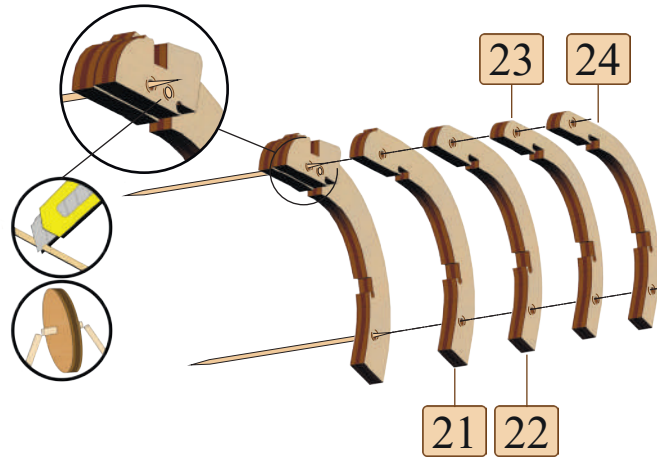
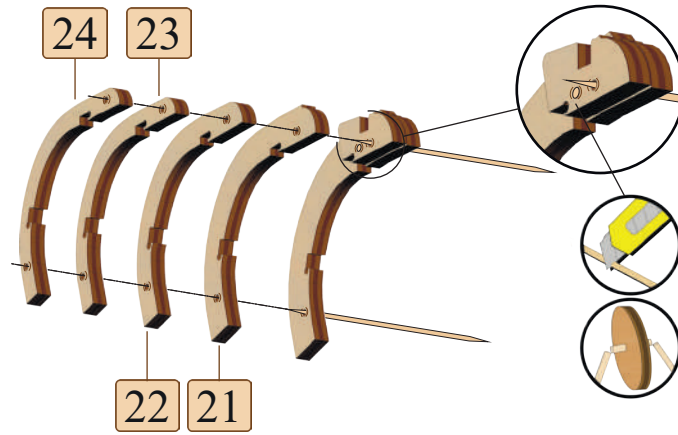
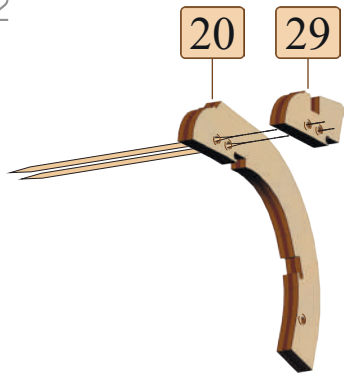
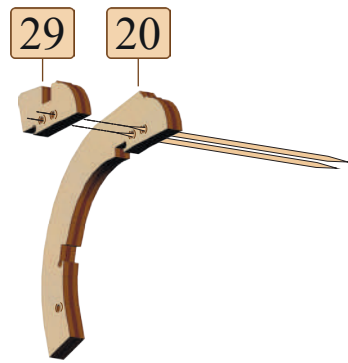
[16]

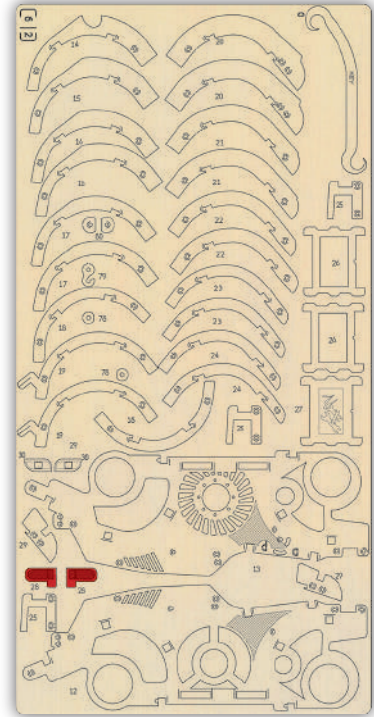




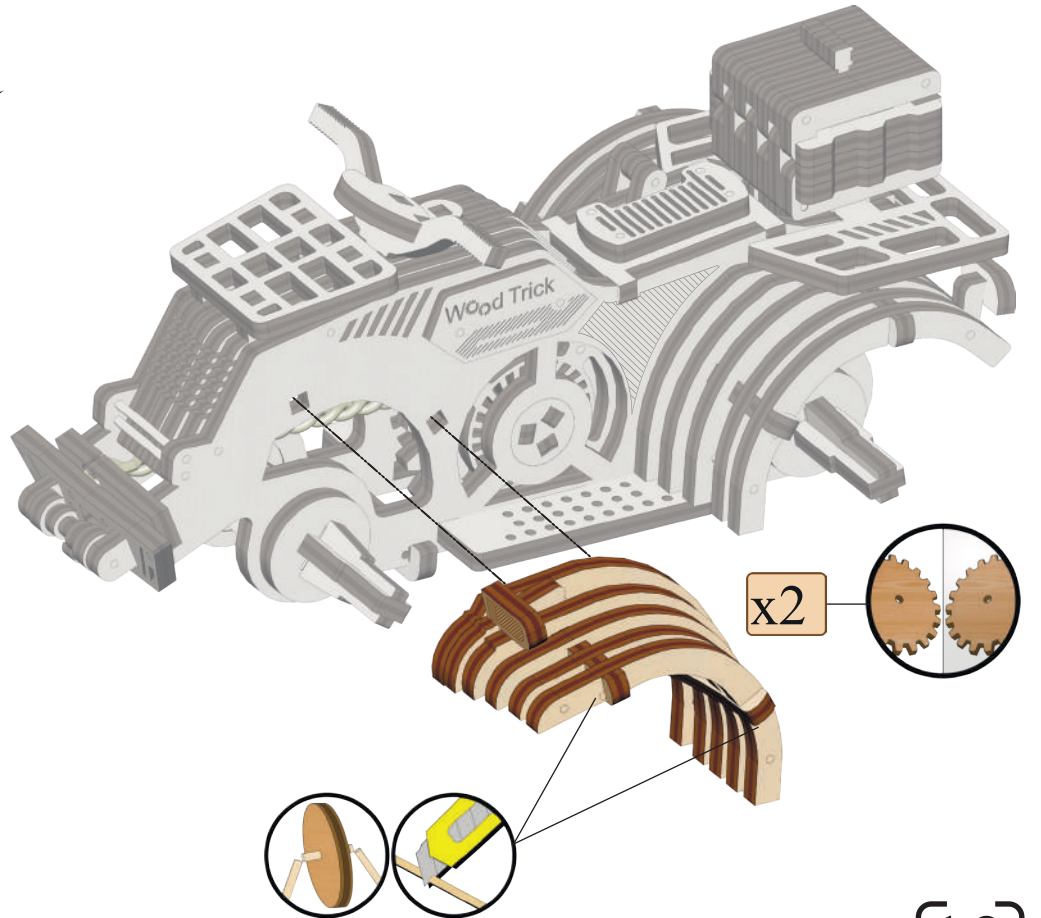
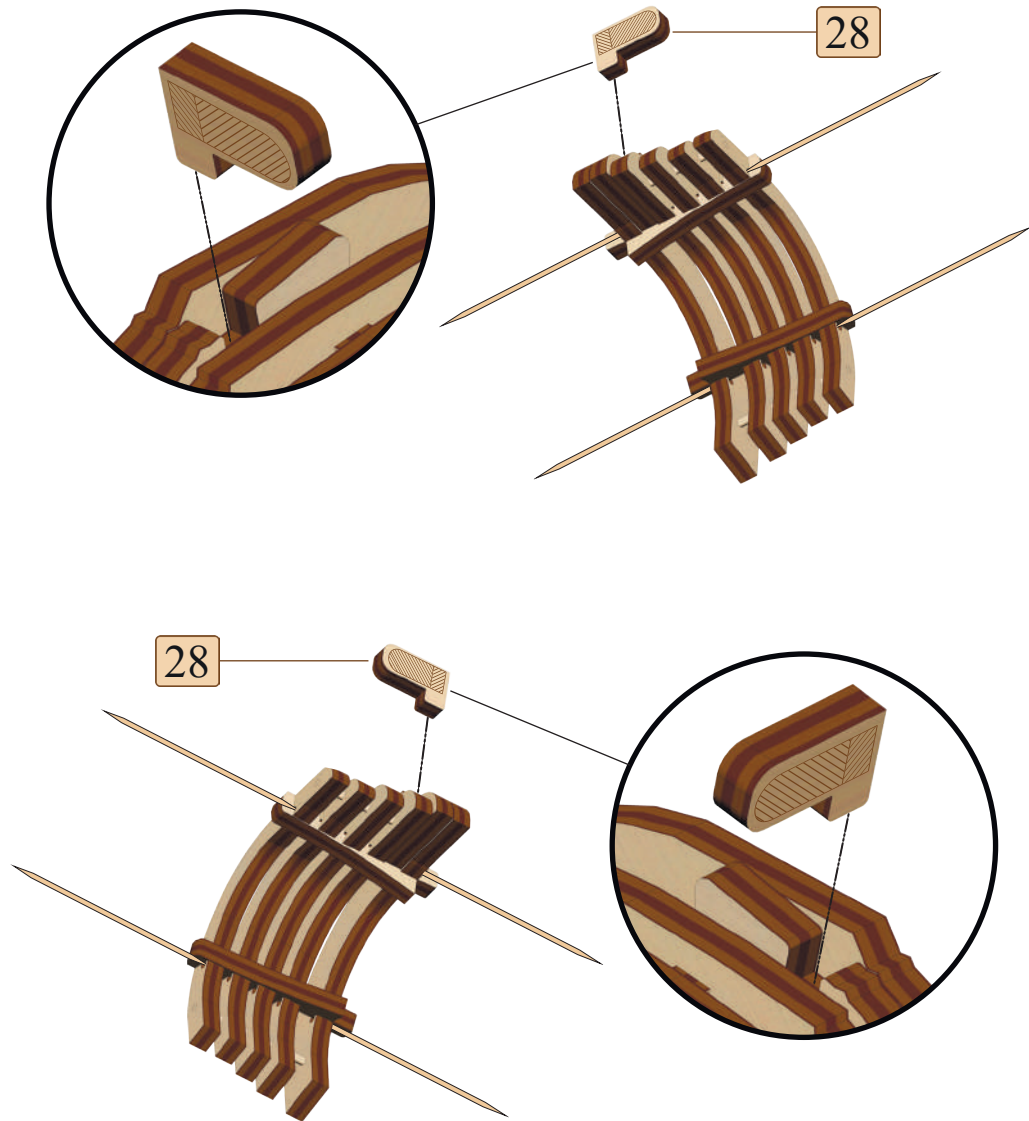
2

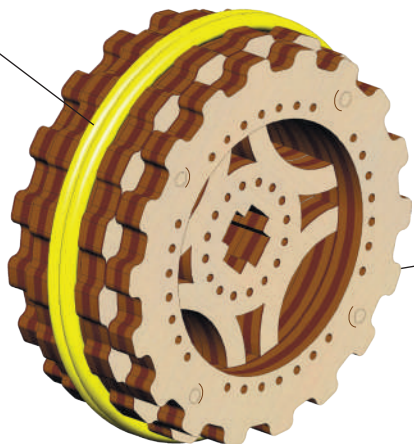
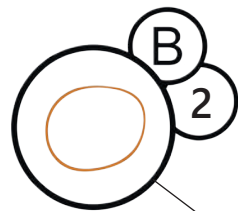
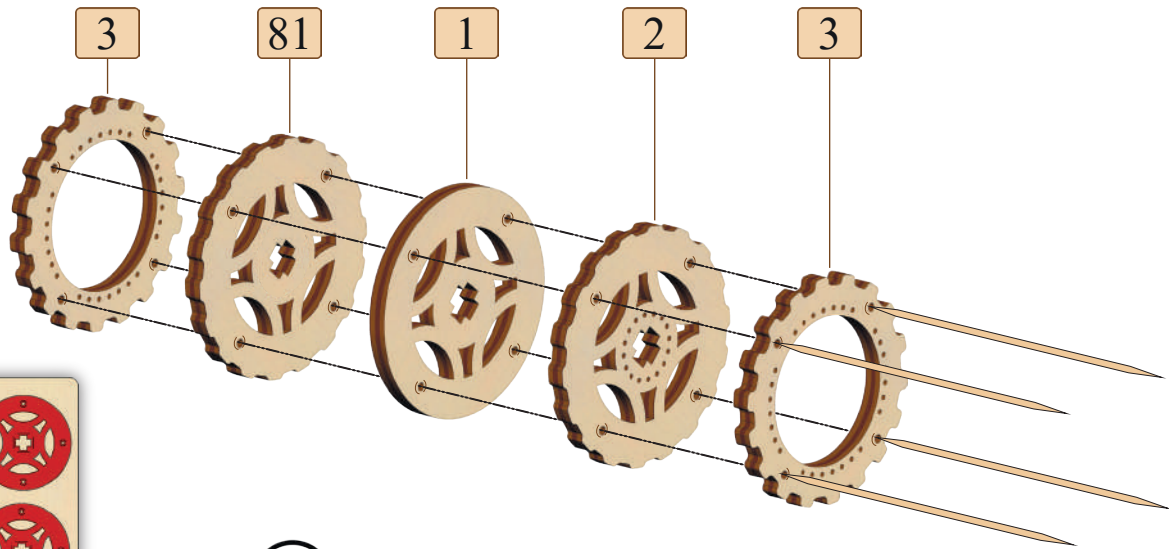
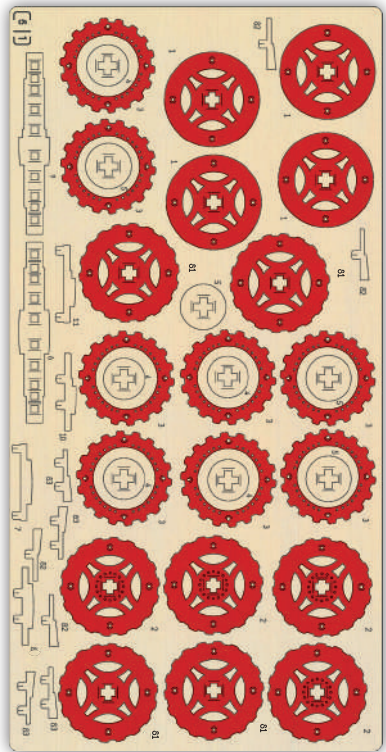
3



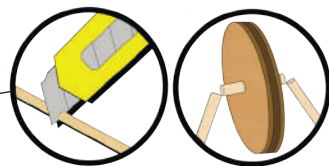


2

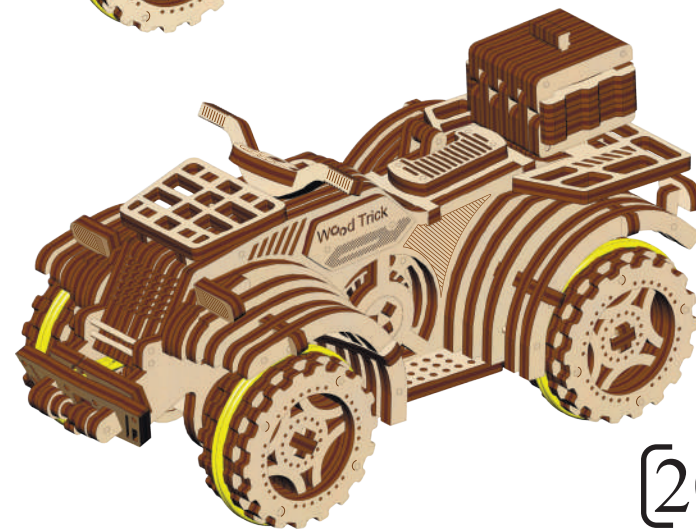


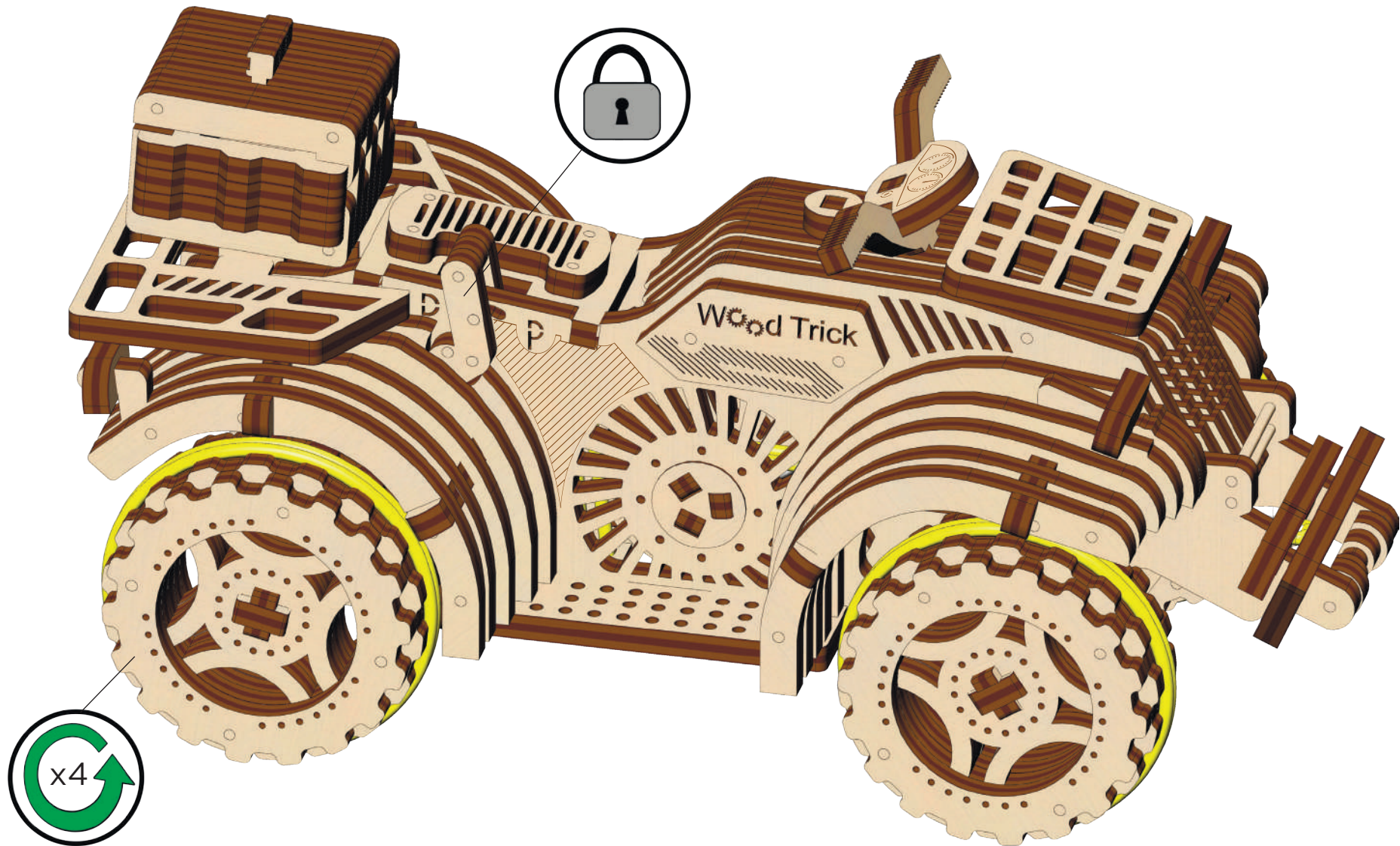


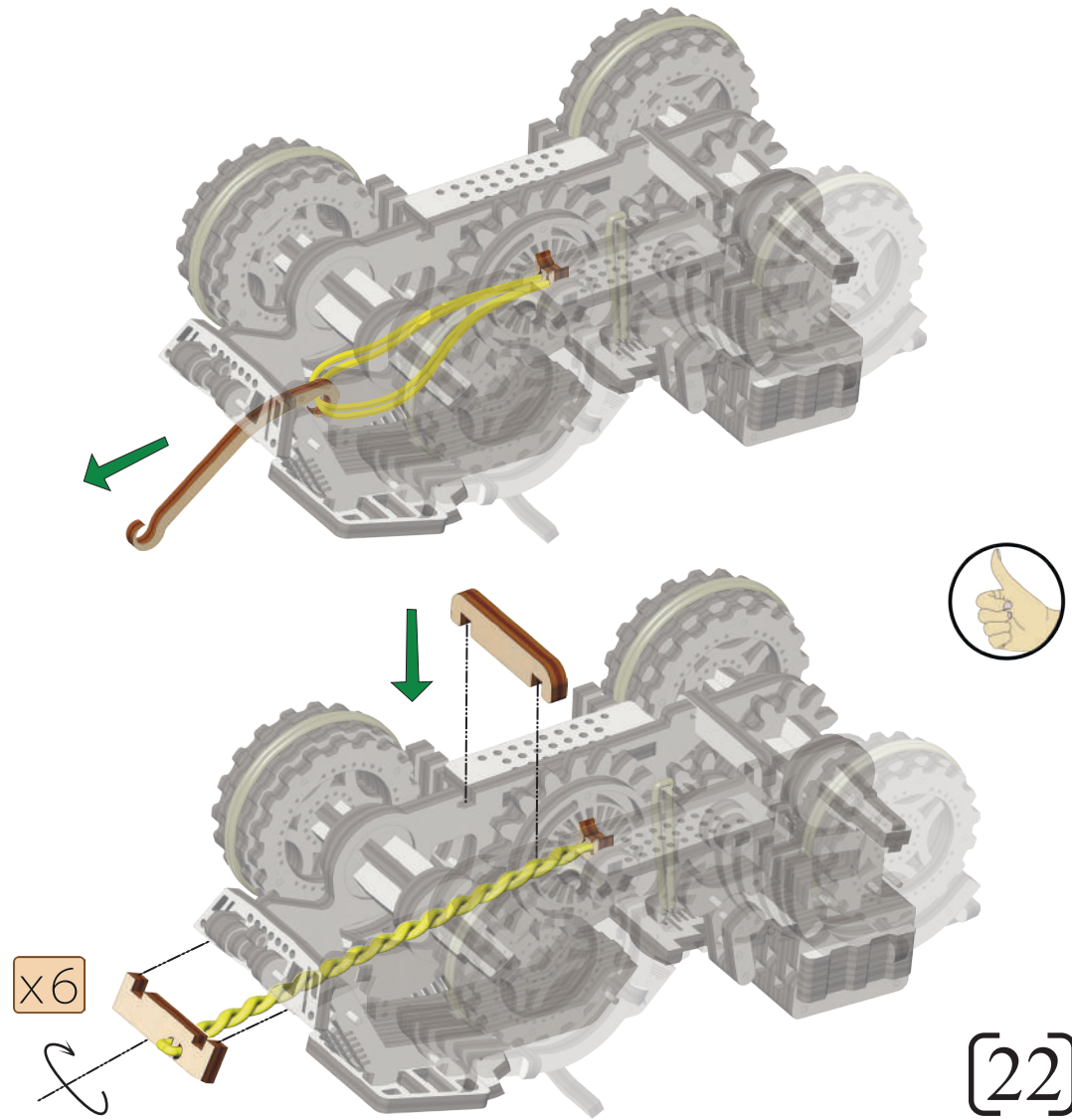
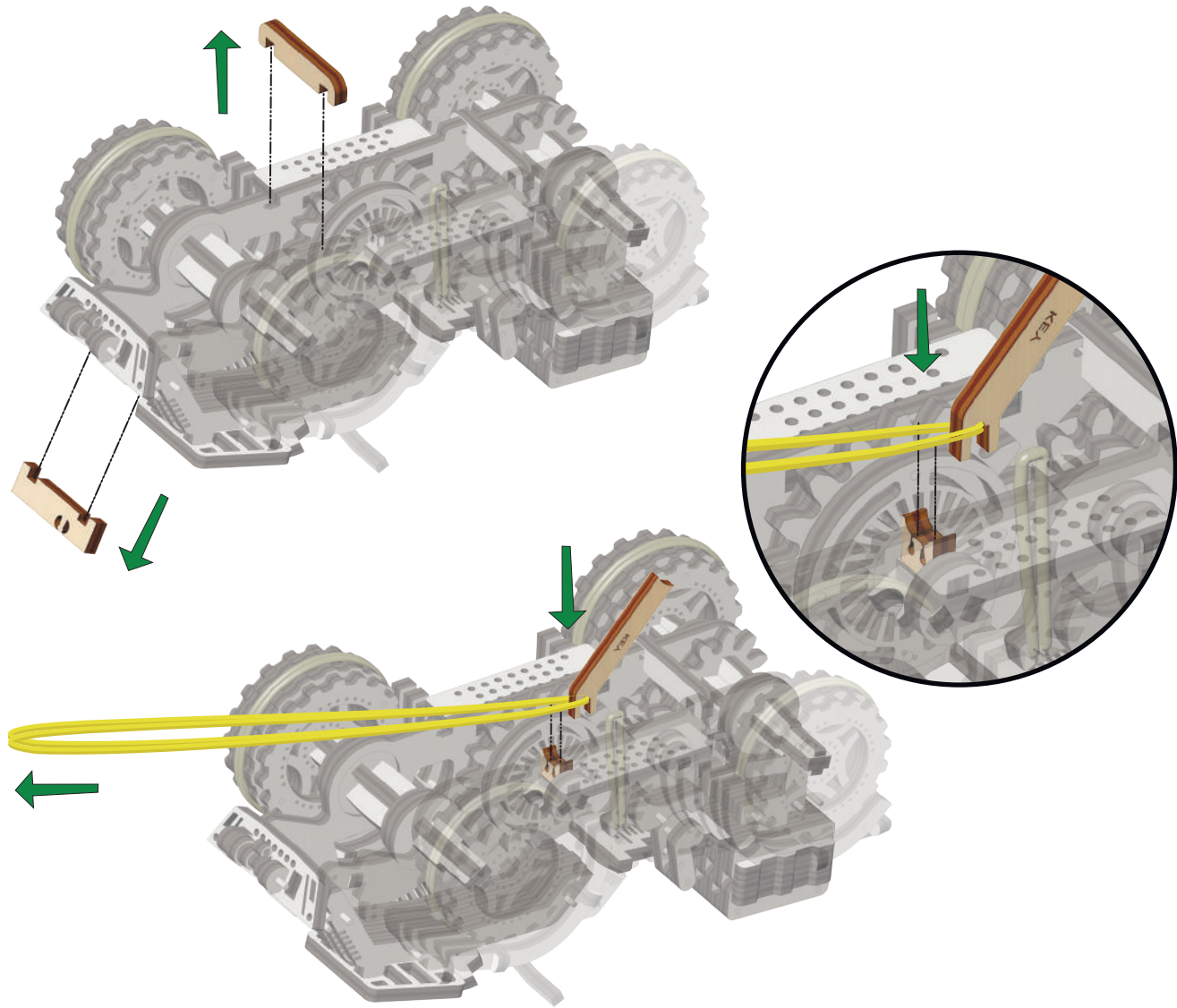
x4

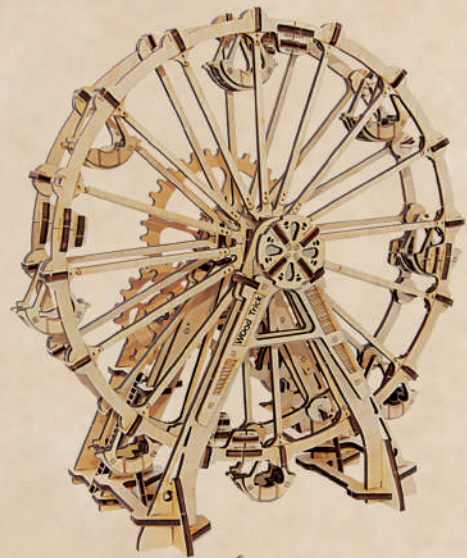


x4









# Wood Trick®

